
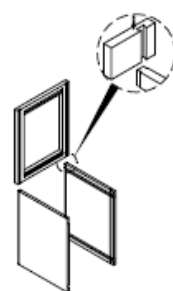
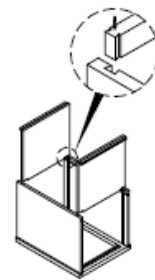


W1812BGFI  
W2112BGFI

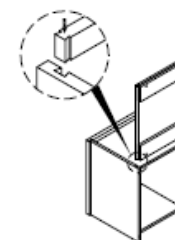
A		ø4*1"	4	C		ø4*1/2"	8
B			4				



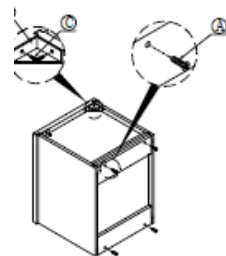
step 1



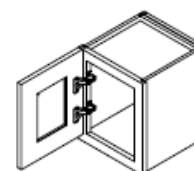
step 2



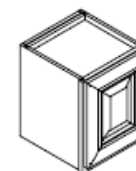
step 3






step 4

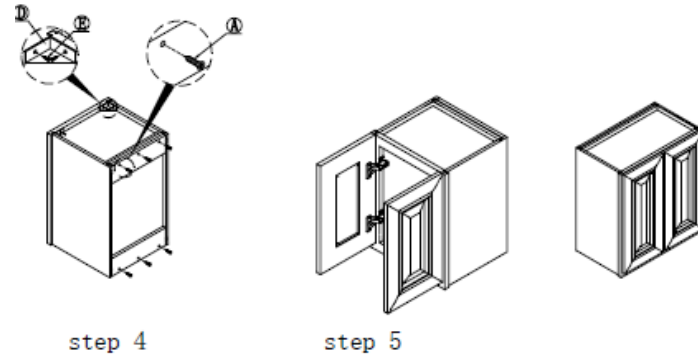
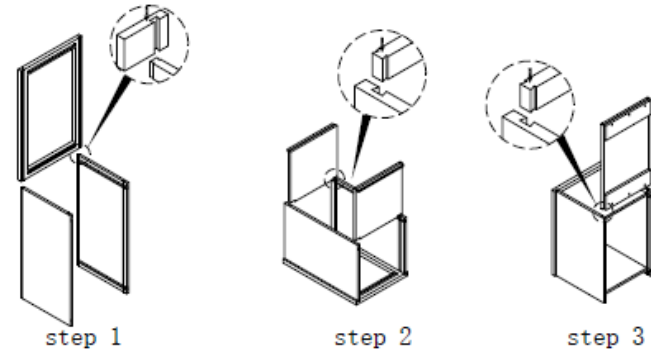


step 5







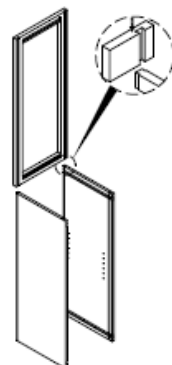
W2412      W2415  
 W2712      W2715  
 W3012      W3015  
 W3312      W3315  
 W3612      W3615  
 W301224    W301524  
 W331224    W331524  
 W361224    W361524  
  
 W2418      W2421  
 W2718      W2721  
 W3018      W3021  
 W3318      W3321  
 W3618      W3621  
 W301824    W302124  
 W331824    W332124  
 W361824    W362124  
 W3012BGFI    W3612BGFI

Part No.	Part Name	Material	Quantity	Part No.	Part Name	Material	Quantity
A		φ4*1"	6	C		φ4*1/2"	8
B			4				

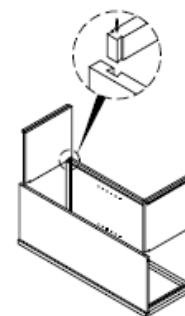


# W2124

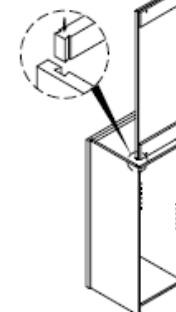
A		ø4*1"	4	C		ø4*1/2"	8
B			4	D			4



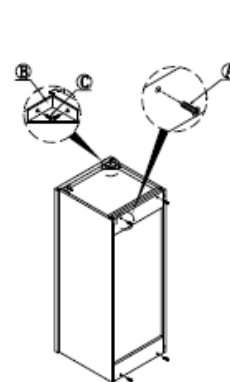
step 1



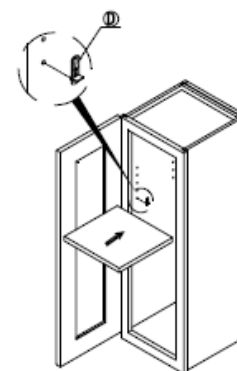
step 2



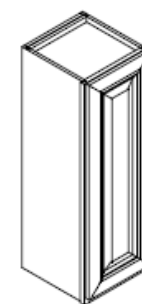
step 3



step 4







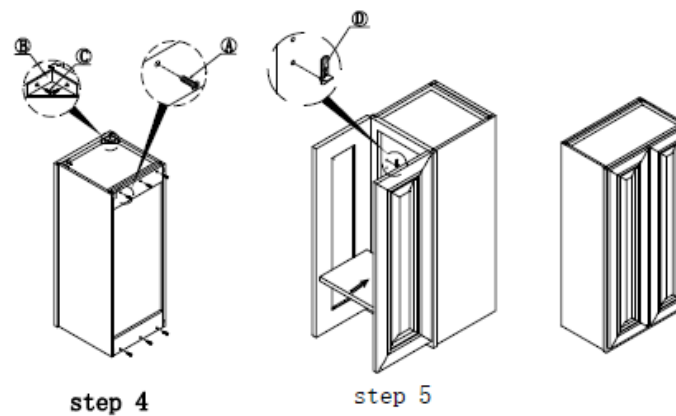
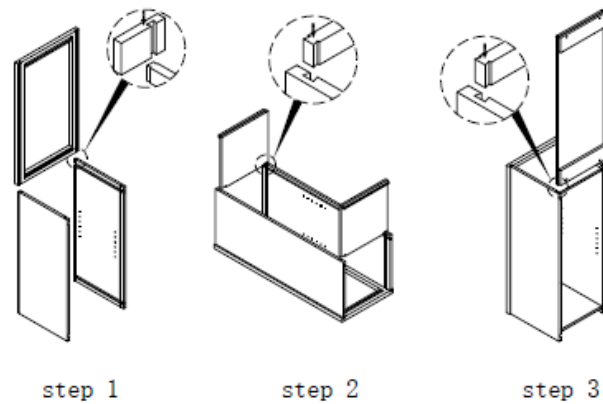
step 5



W2424  
 W2724  
 W3024  
 W3324  
 W3624





W332424  
 W362424

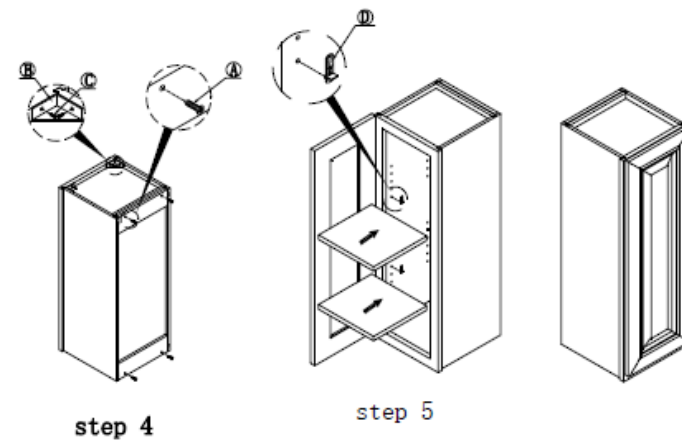
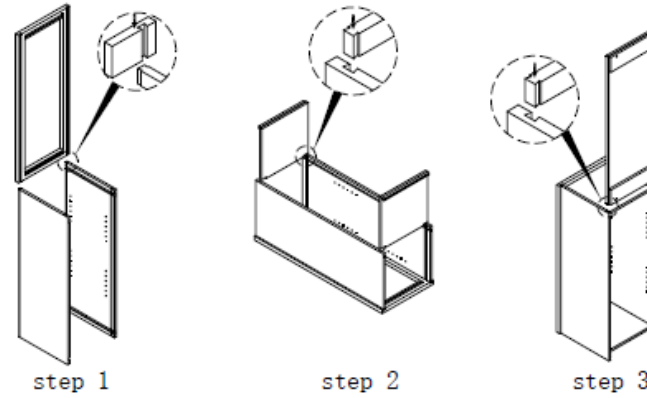
A		ø4*1"	6	C		ø4*1/2"	8
B			4	D			4



W0930    W0936  
 W1230    W1236  
 W1530    W1536  
 W1830    W1836  
 W2130    W2136





WM1530GDFI  
 WM1830GDFI  
 WM1536GDFI  
 WM1836GDFI

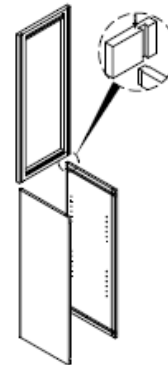
A		±4*1"	4	C		±4*1/2"	8
B			4	D			8



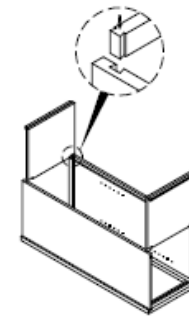
W2430 W2436  
 W2730 W2736  
 W3030 W3036  
 W3330 W3336  
 W3630 W3636

WM2436GDFI  
 WM2430GDFI  
 WM3036GDFI  
 WM3030GDFI  
 WM3636GDFI  
 WM3630GDFI

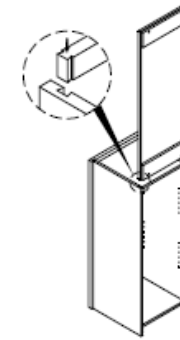
A		ø4*1"	6	C		ø4*1/2"	8
B			4	D			8



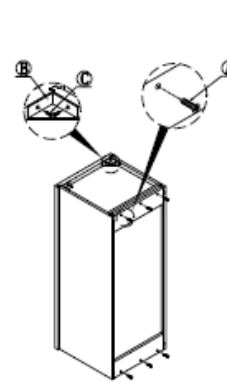
step 1



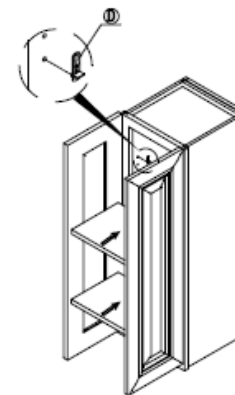
step 2



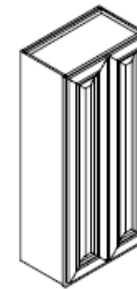
step 3



step 4



step 5







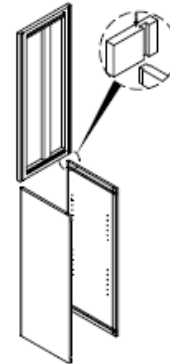
W3936

W4236

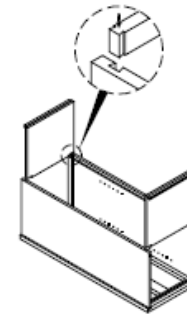
W3930

W4230

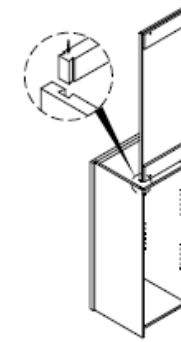
A		±4*1"	6	C		±4*1/2"	8
B			4	D			8



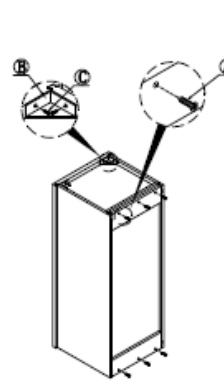
step 1



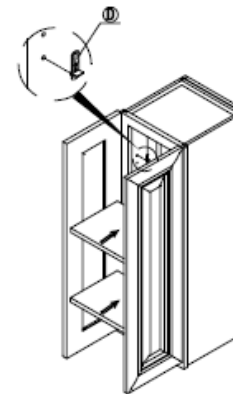
step 2



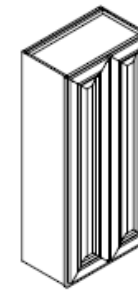
step 3



step 4

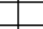





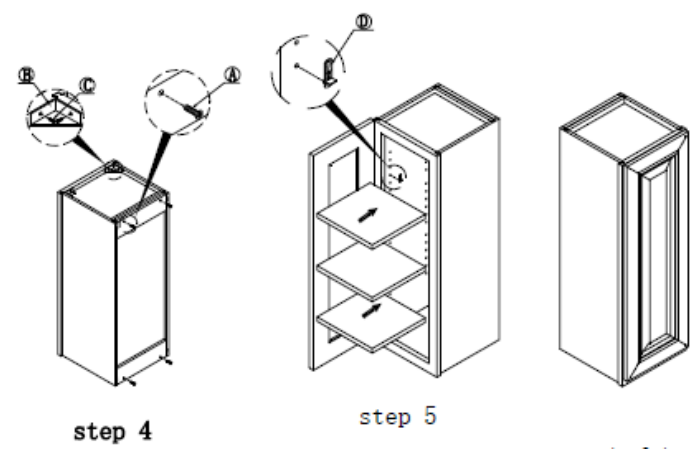
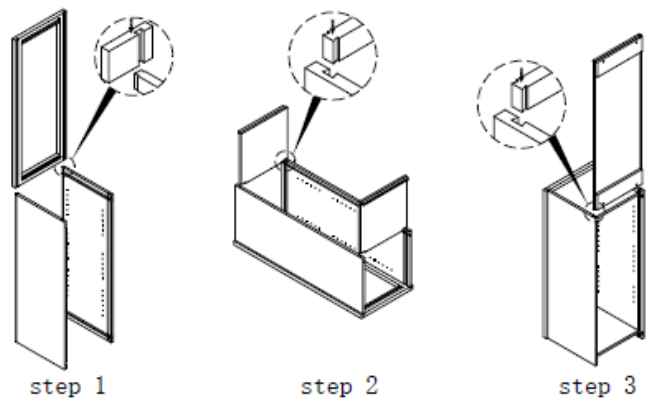
step 5



W0942  
 W1242  
 W1542  
 W1842  
 W2142





WM1542GDFI  
 WM1842GDFI  
 WM1542GDFI  
 WM1842GDFI

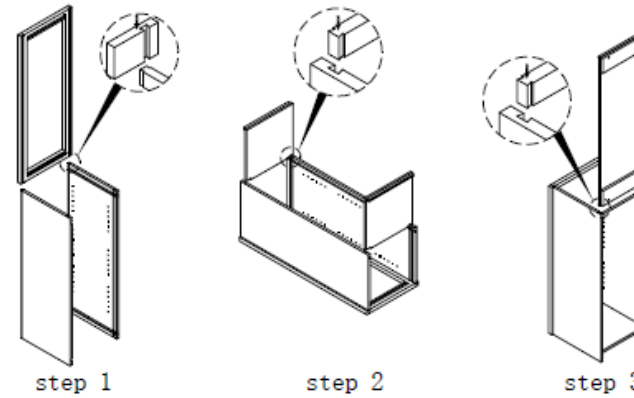
A		ø4*1"	4	C		ø4*1/2"	8
B			4	D			12



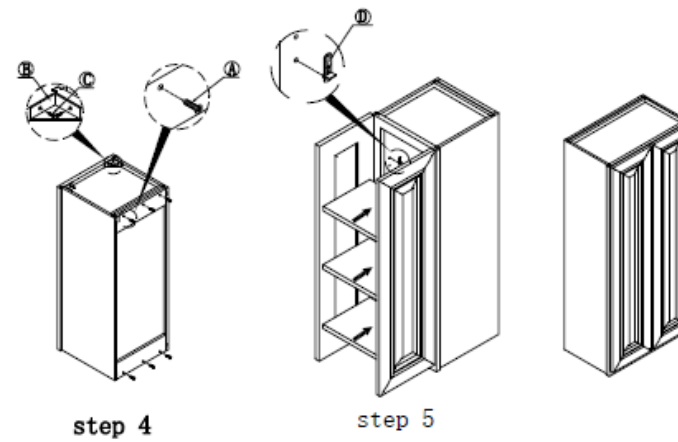


W2442  
W2742  
W3042  
W3342  
W3642





A		φ4*1"	6	C		φ4*1/2"	8
B			4	D			12

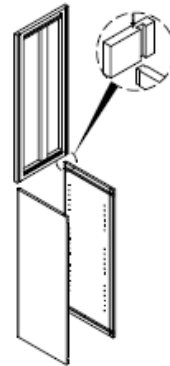


WM2442GDFI  
WM3042GDFI  
WM3642GDFI

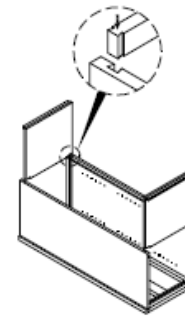


W3942  
W4242

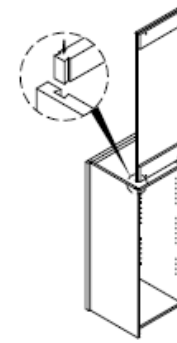
A		ø4*1"	6	C		ø4*1/2"	8
B			4	D			12



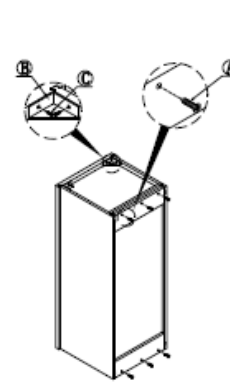
step 1



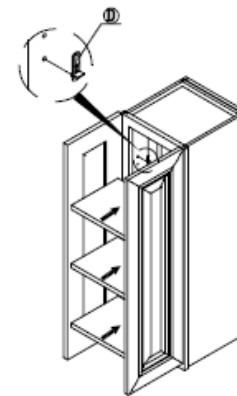
step 2



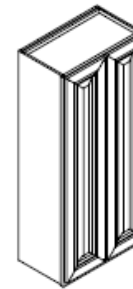
step 3



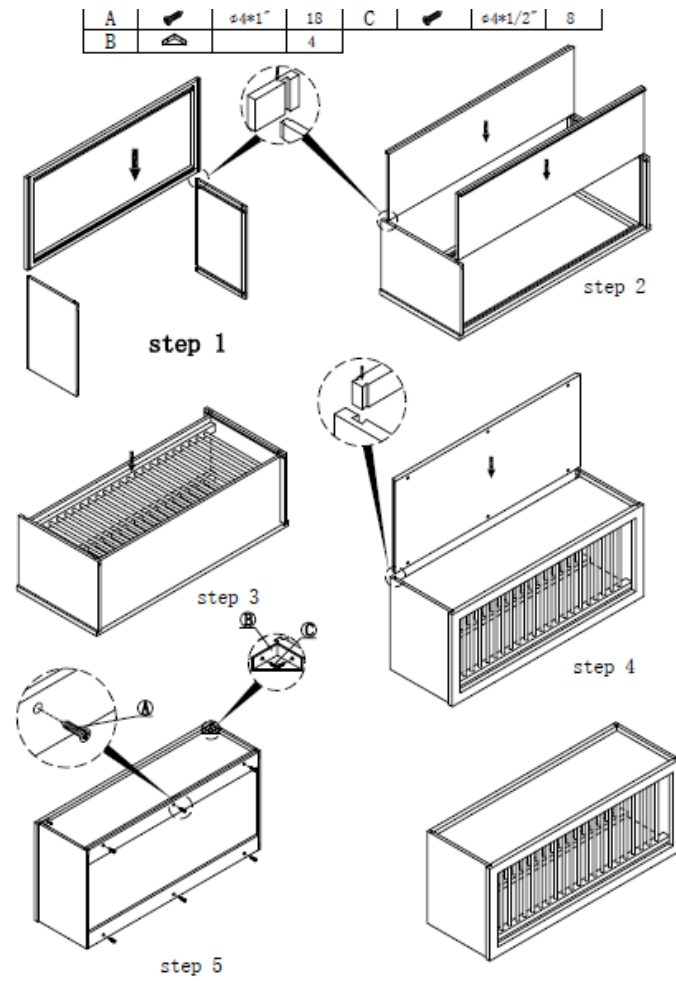
step 4



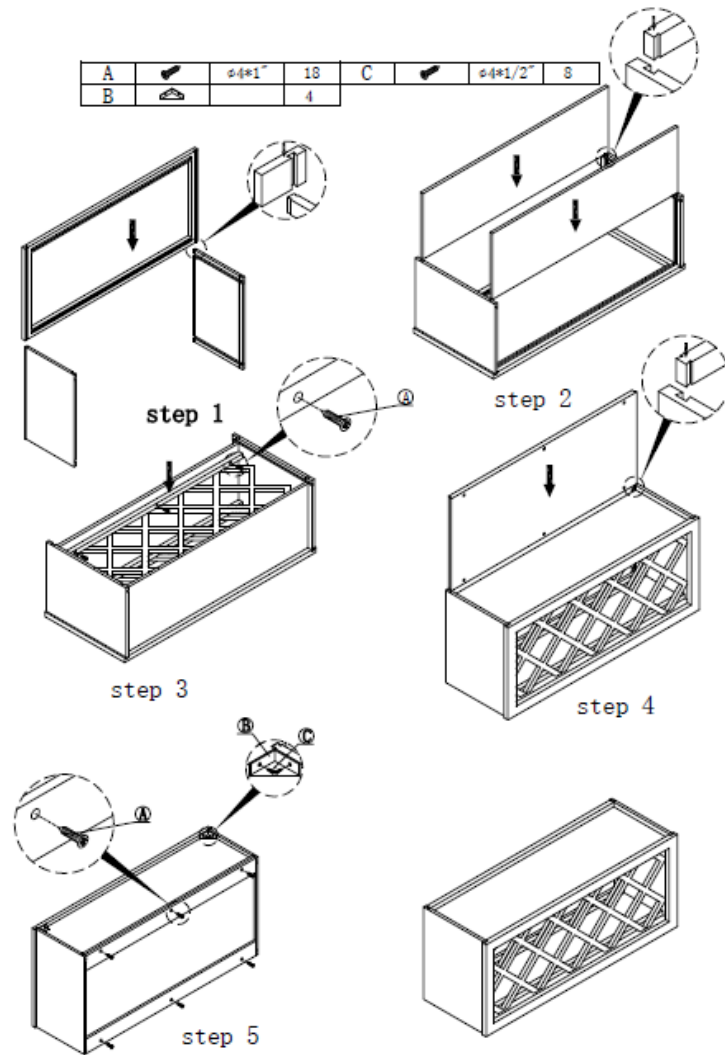
step 5







# PR

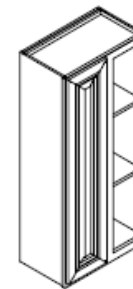
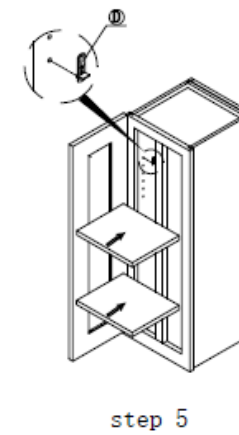
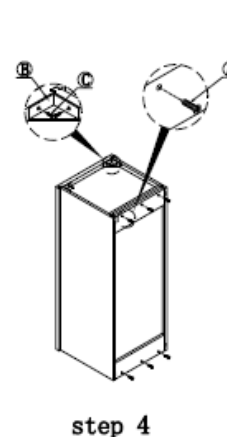
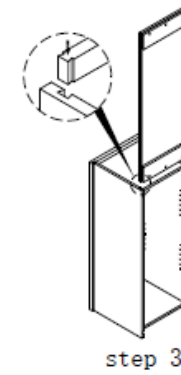
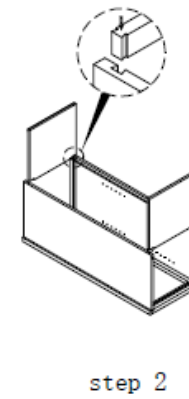
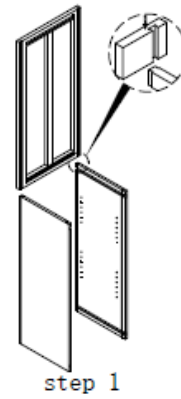


W3018WR  
3015WR



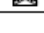



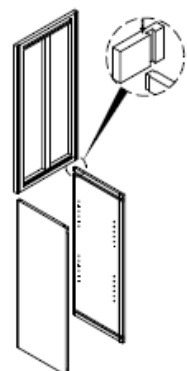
BLW2730  
BLW2736  
BLW3030  
BLW3036

A		±4*1"	6	C		±4*1/2"	8
B			4	D			8

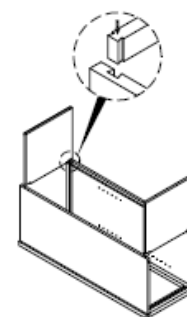


BLW3042  
BLW2742

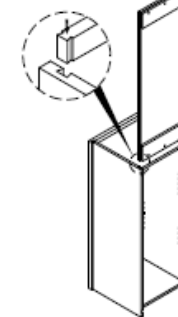
A		ø4*1"	6	C		ø4*1/2"	8
B			4	D			8



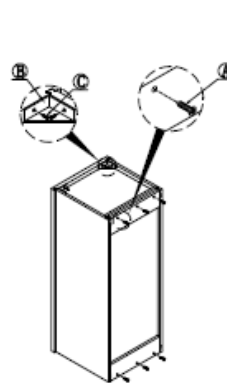
step 1



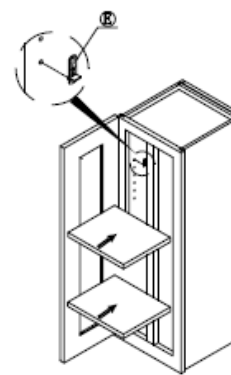
step 2



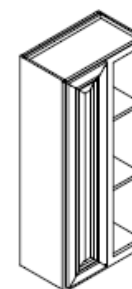
step 3



step 4






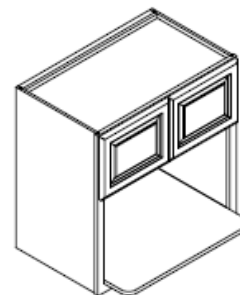
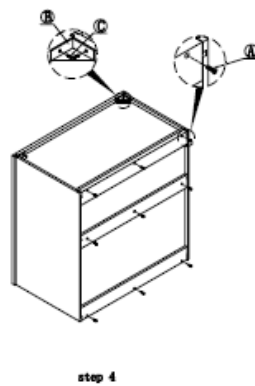
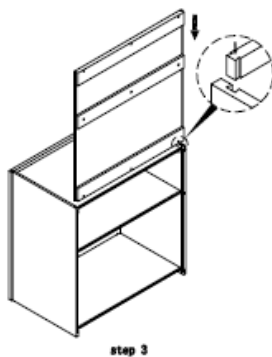
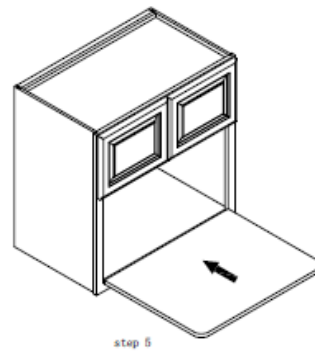
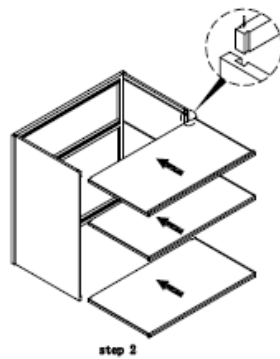
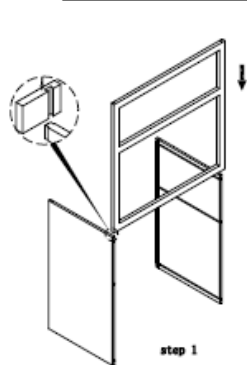
step 5



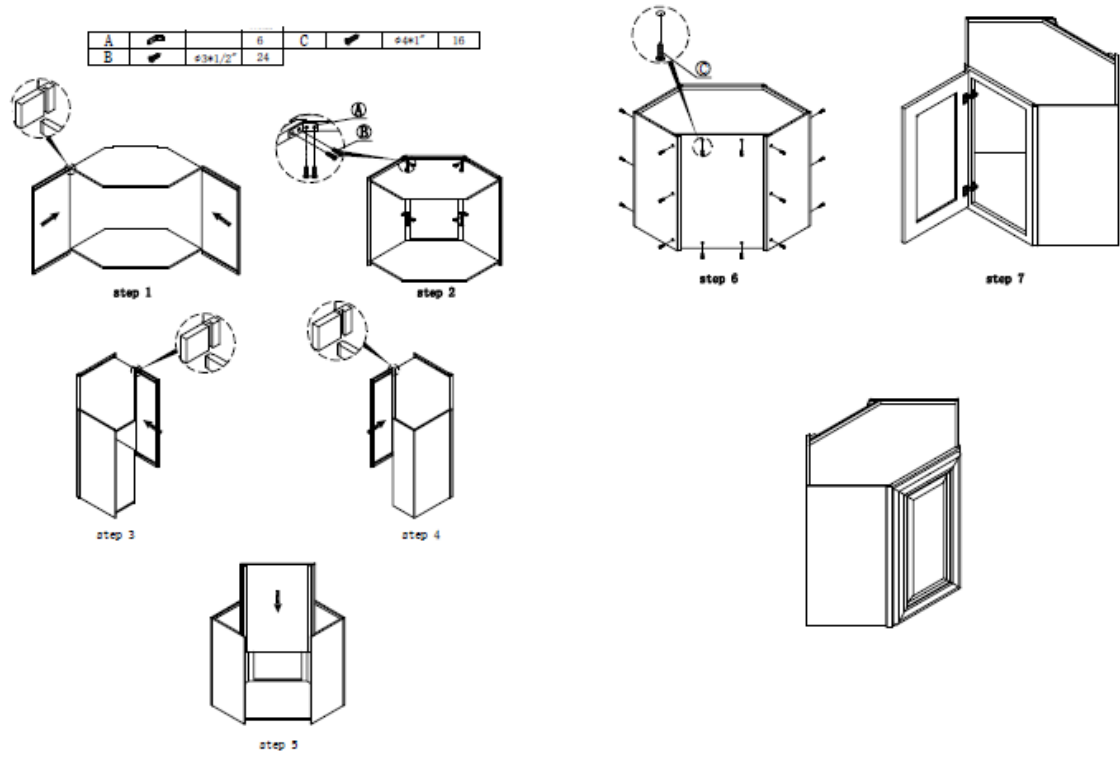
...

MO

A		Ø4x1"	8	C		Ø4x1/2"	8
B			4				

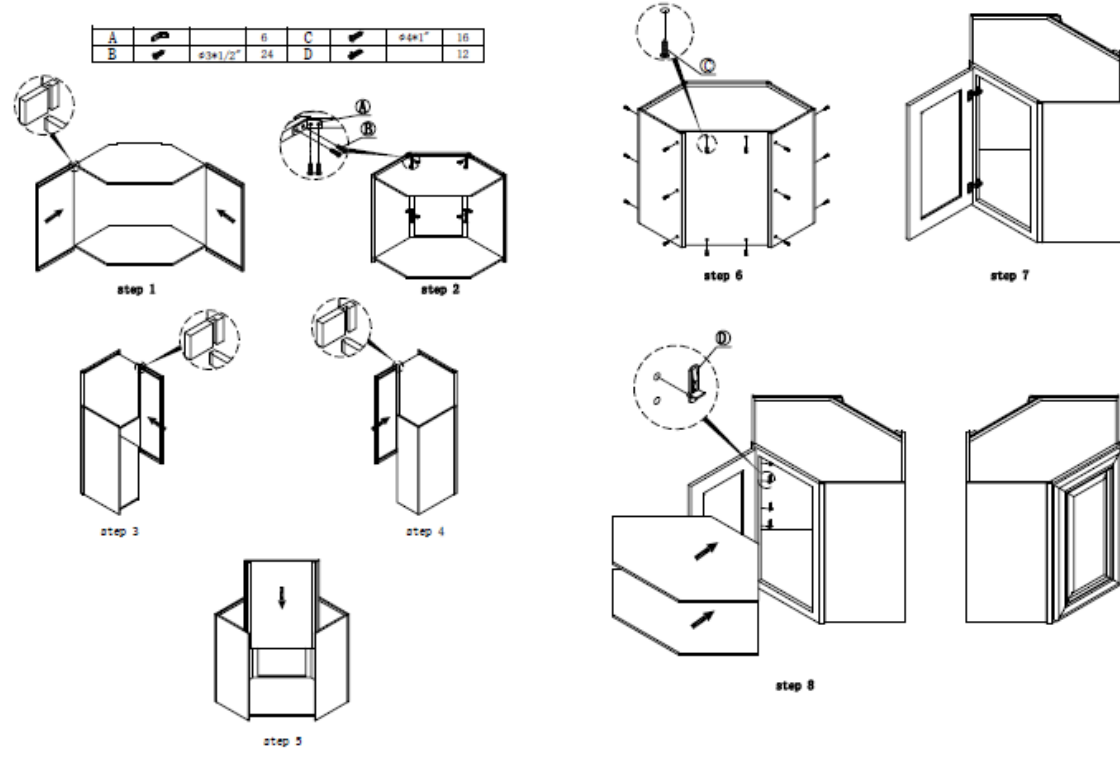


# WDC2418

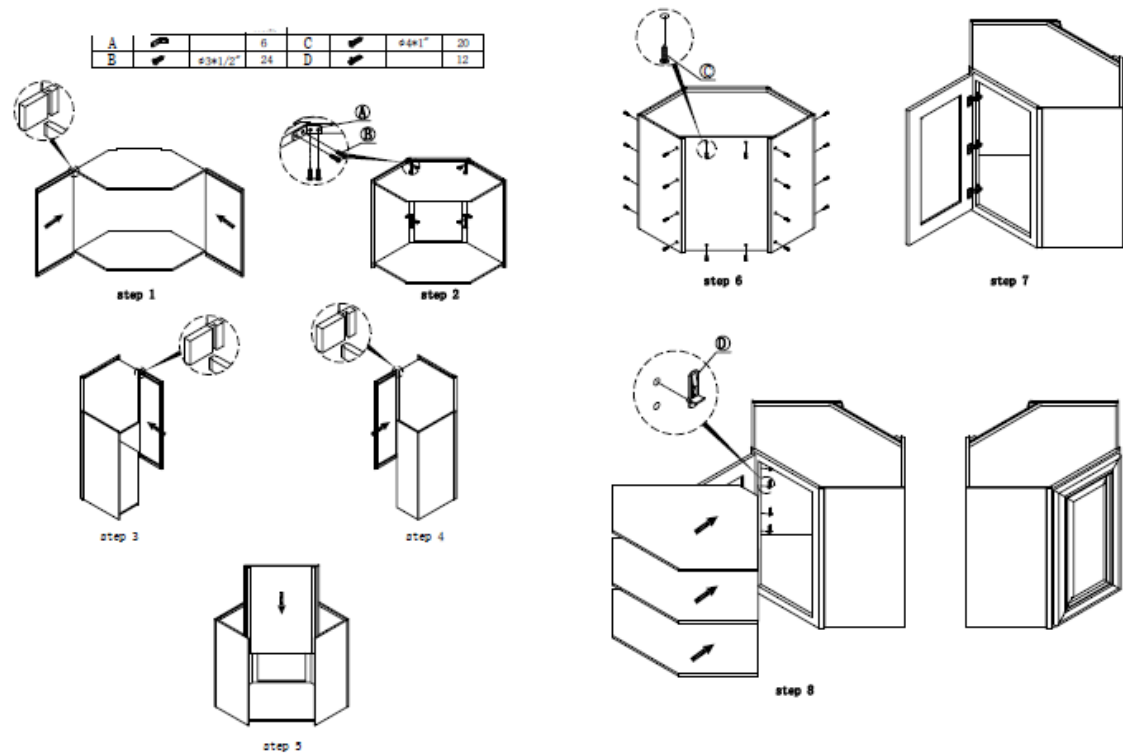








WDC2430  
 WDC2436  
 WMDC2430GDFI  
 WMDC2436GDFI

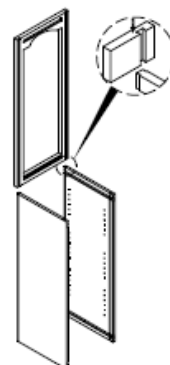


WDC2442  
 WDC274215  
 WMDC2442GDFI  
 WMDC274215GDFI

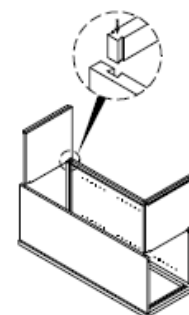


BC1848  
BC3048

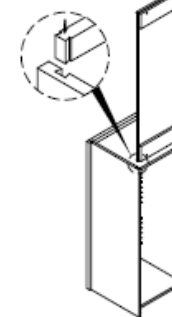
A		φ4*1"	4	C		φ4*1/2"	8
B			4	D			12



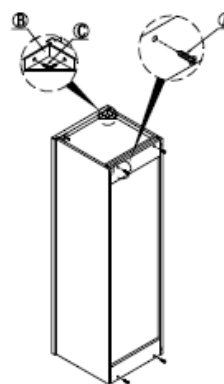
step 1



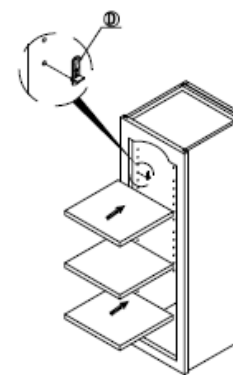
step 2



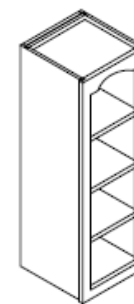
step 3



step 4







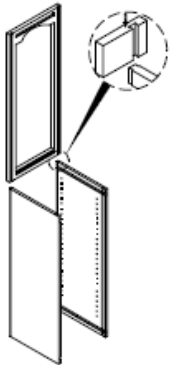
step 5



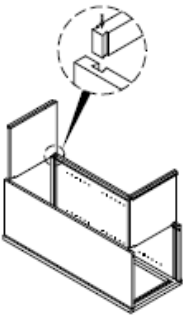
...

# BC1860 BC3060

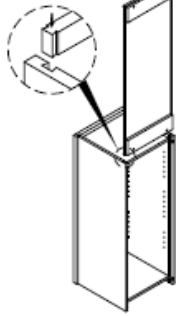
A		$\phi 4*1"$	4	C		$\phi 4*1/2"$	8
B			4	D			16



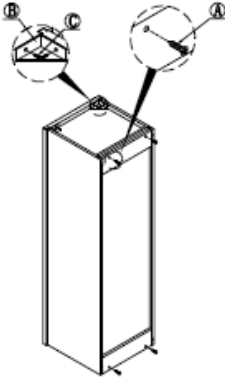
step 1



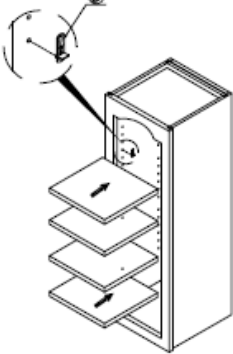
step 2



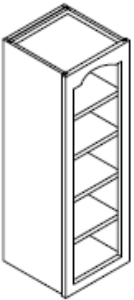
step 3



step 4

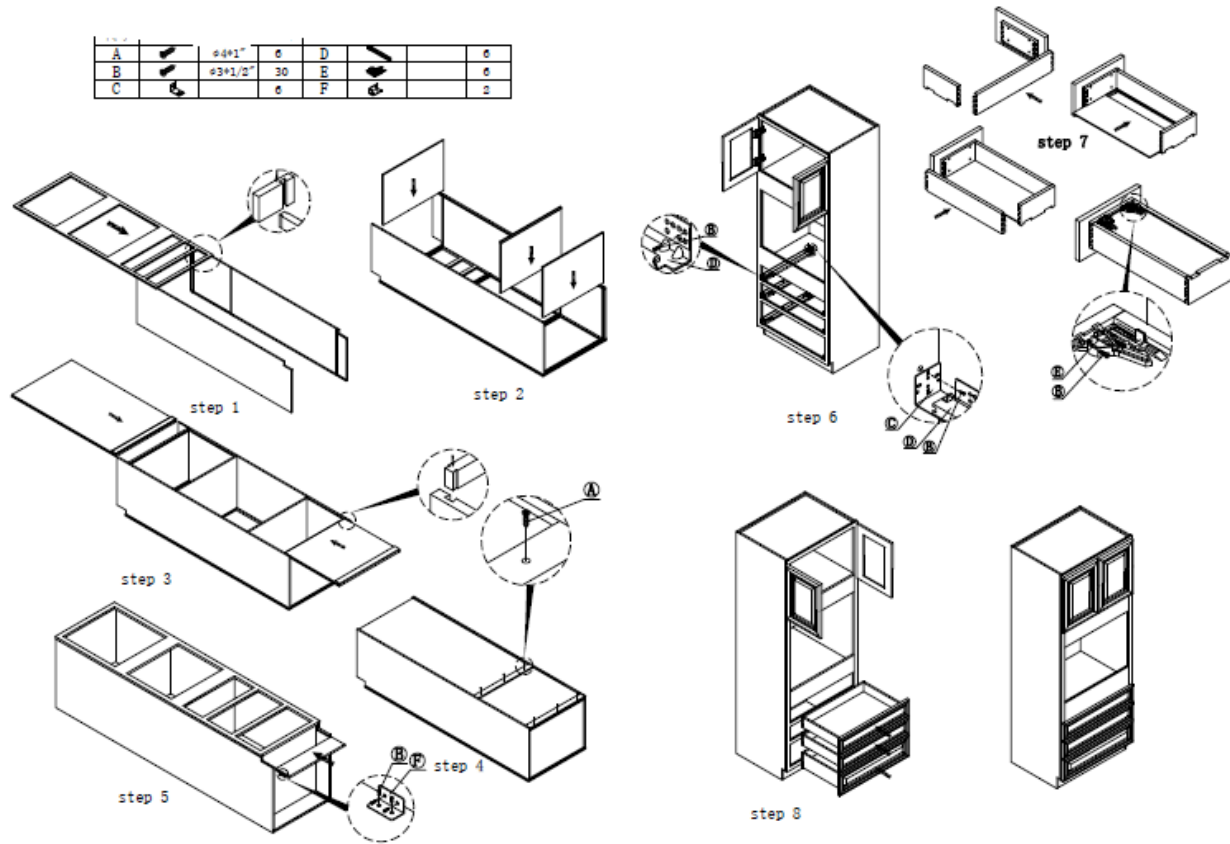


step 5

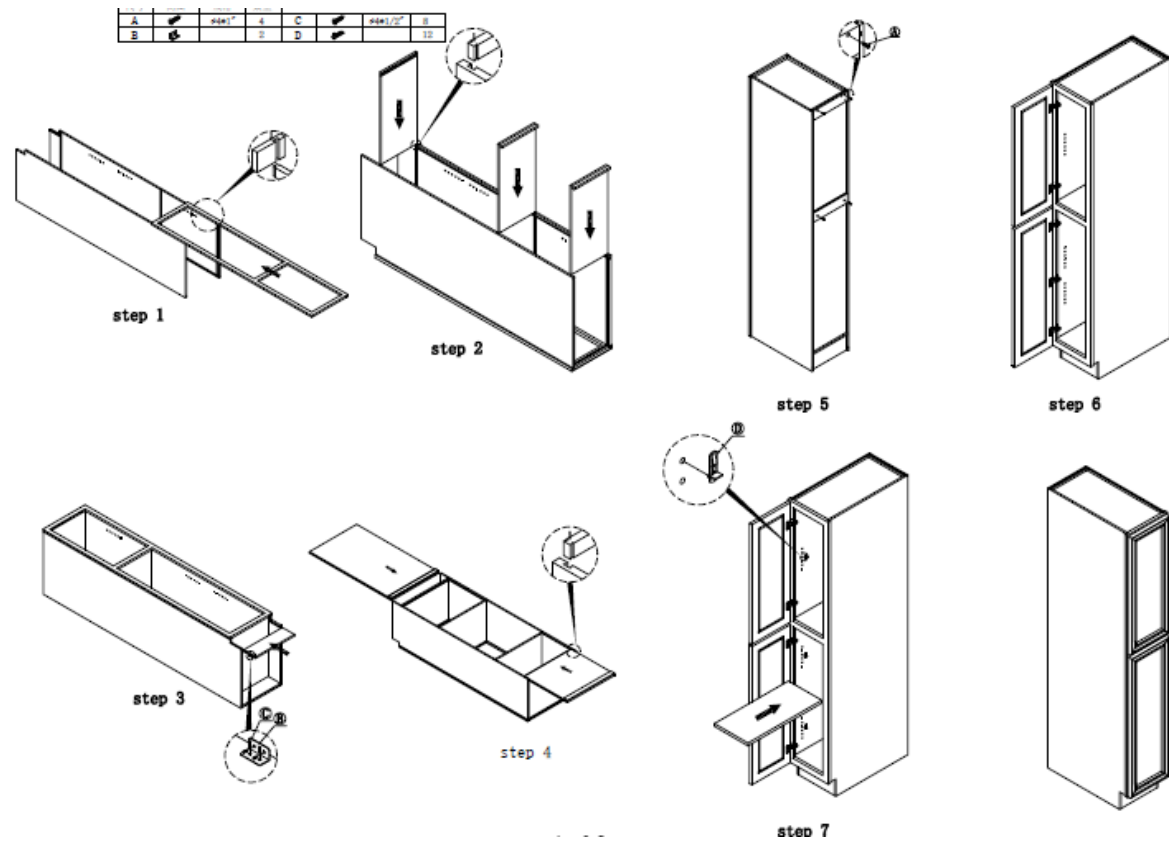


0338424  
 0339024  
 0339624

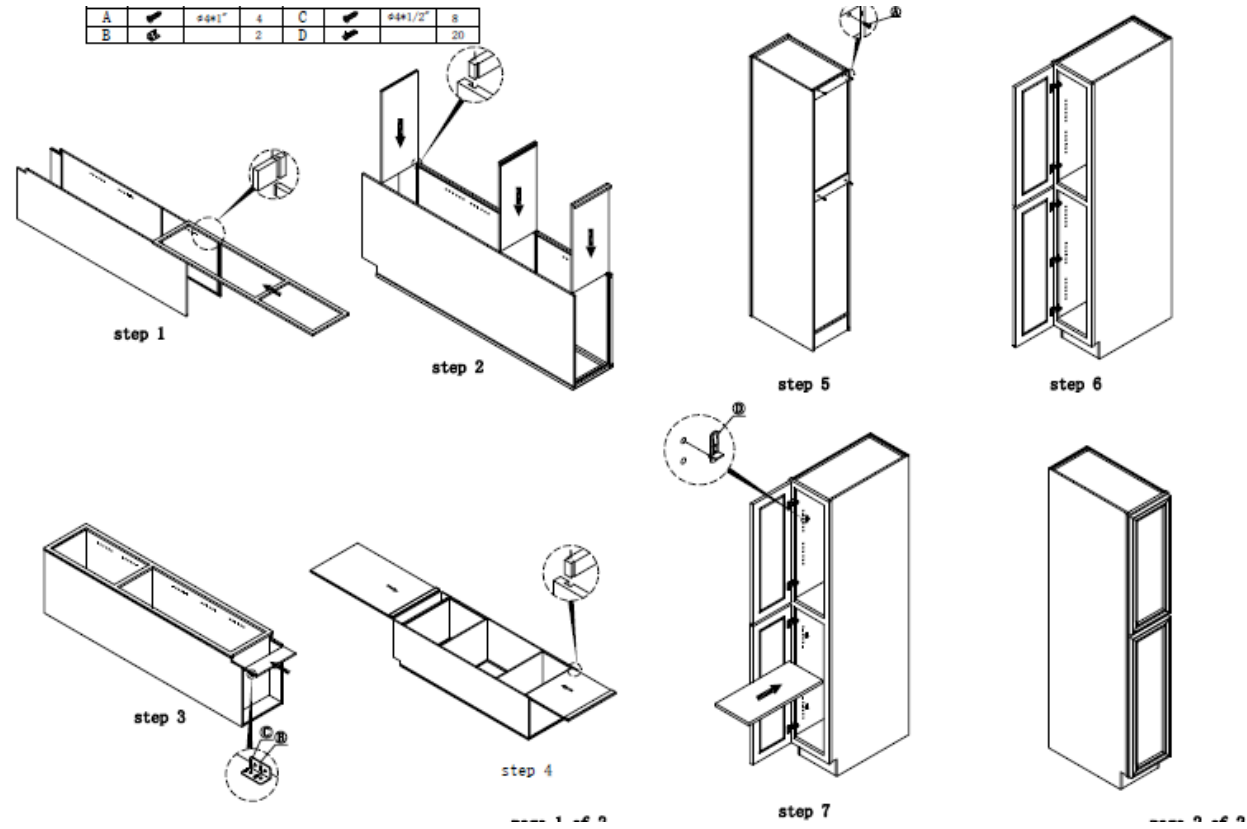
A	↙	44 1/2"	6	D	↘	6
B	↙	43 1/2"	30		↘	6
C	↙		6		↘	2



U1884  
U1890  
U1896

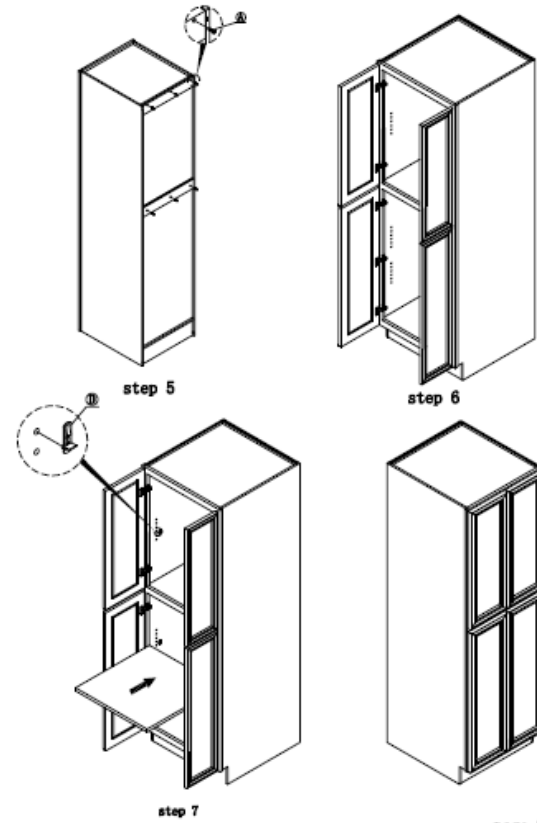
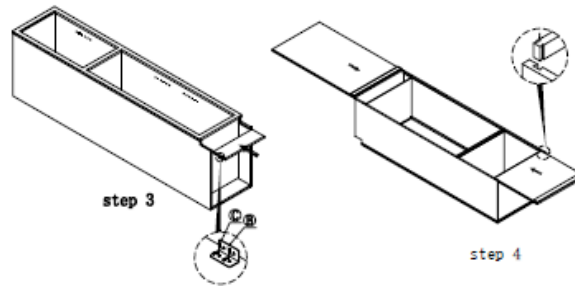
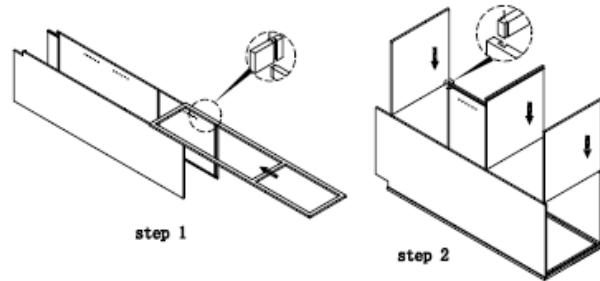


VL188021



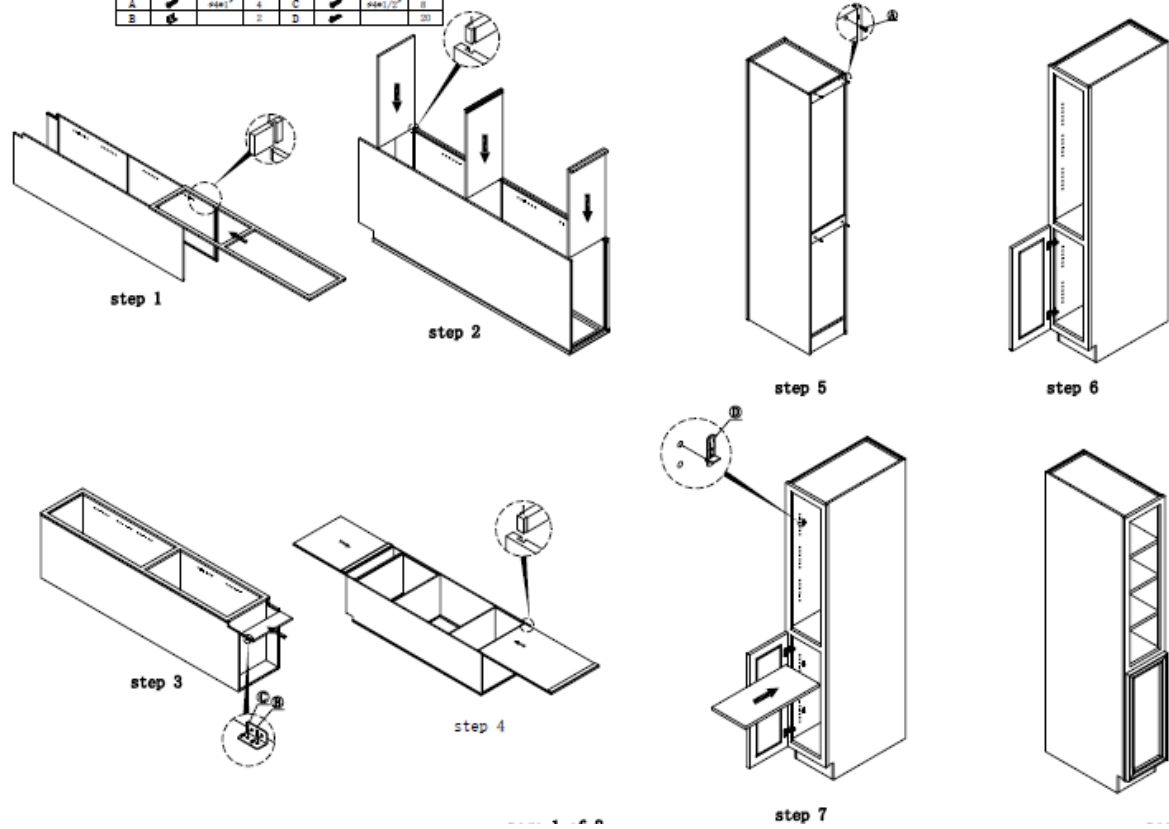
U2484  
 U2490  
 U2496  
 U3084  
 U3090  
 U3096

A	↗	44x17	6	C	↖	44x17	10
B	↘		4	D	↙		12











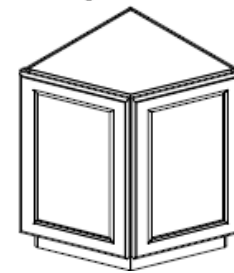
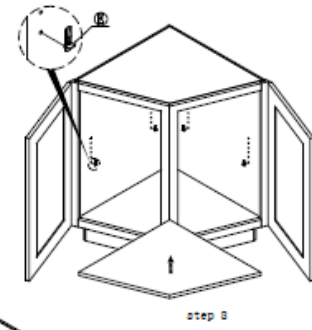
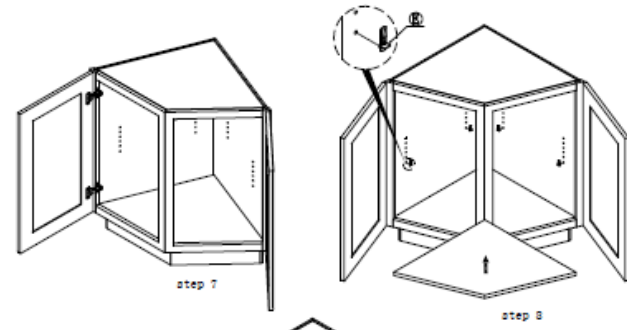
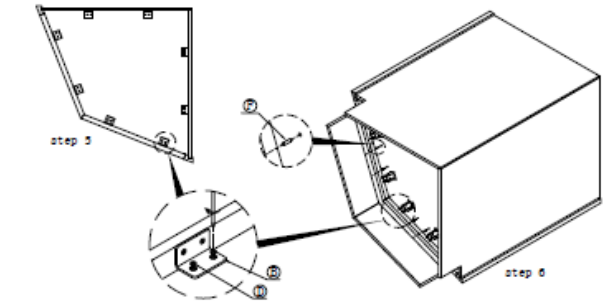
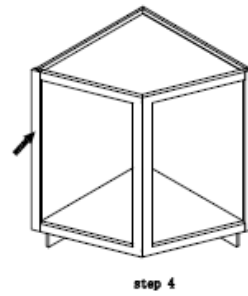
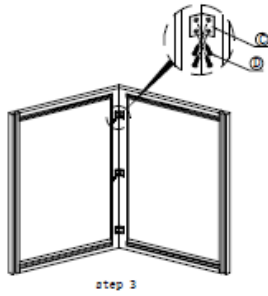
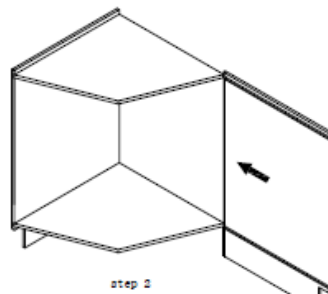
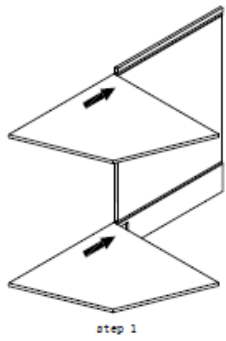
A	4	4441*	4	C	4441/2*	8
B	2		2	D		20



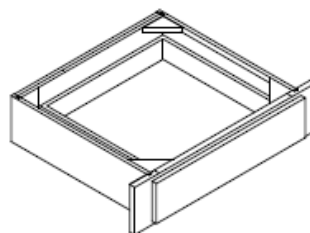
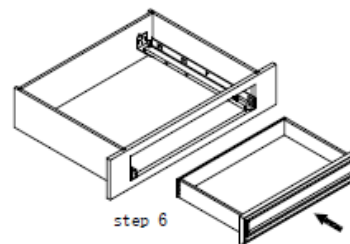
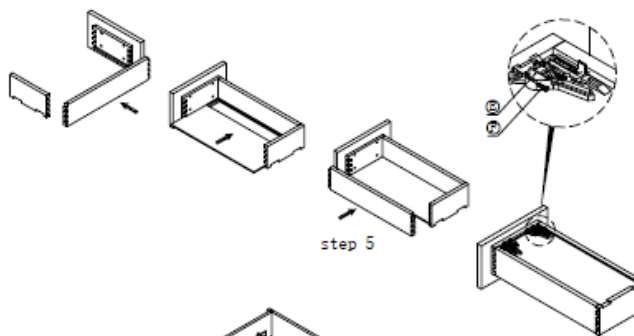
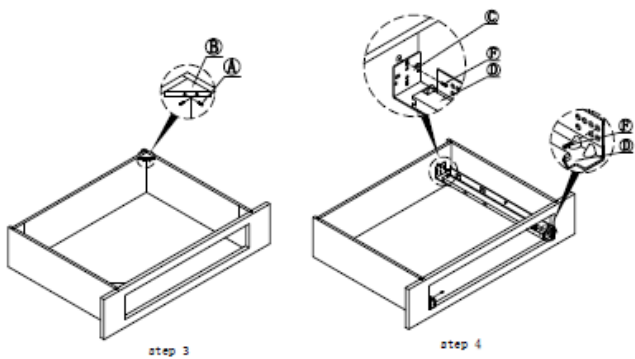
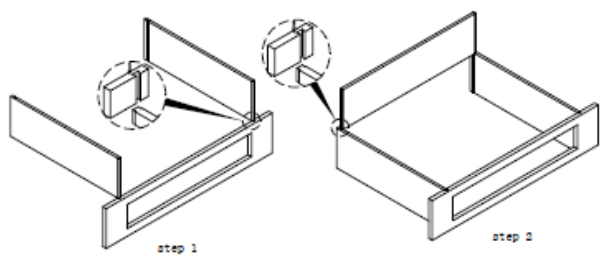
VOL188021

# AB24

A		ø4x1"	4	D		ø4x1/2"	90
B			20	E			4
C			3	F			4



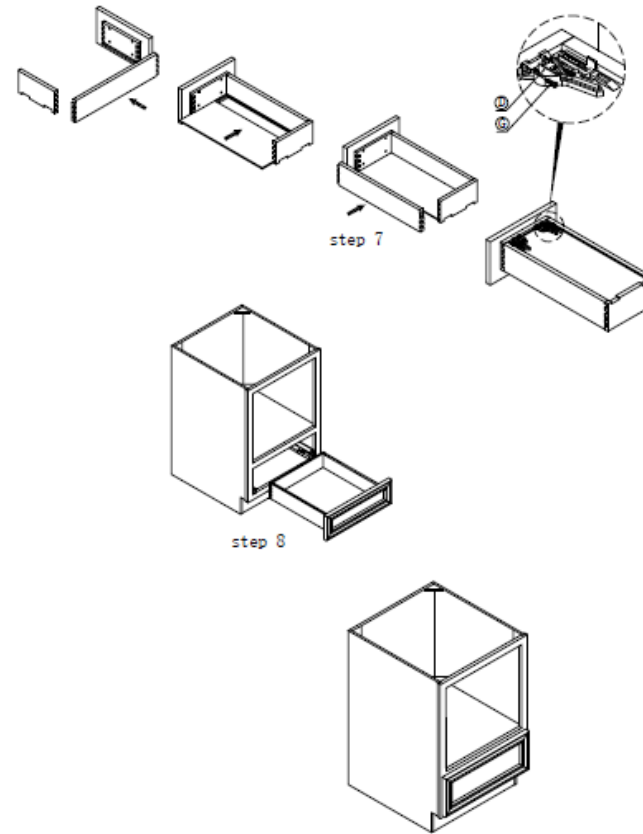
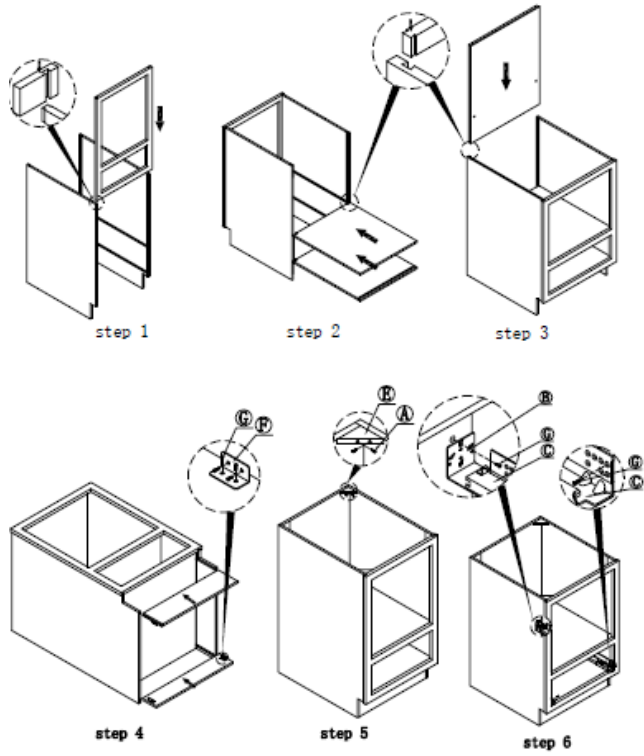
A		ø4+1"	3	D			2
B			4	E			2
C			2	F		ø4+1/2"	10







DSK30/36

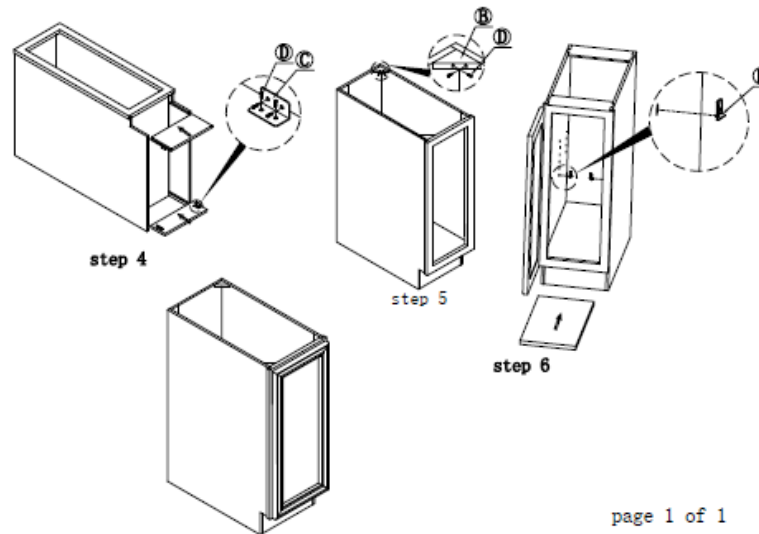
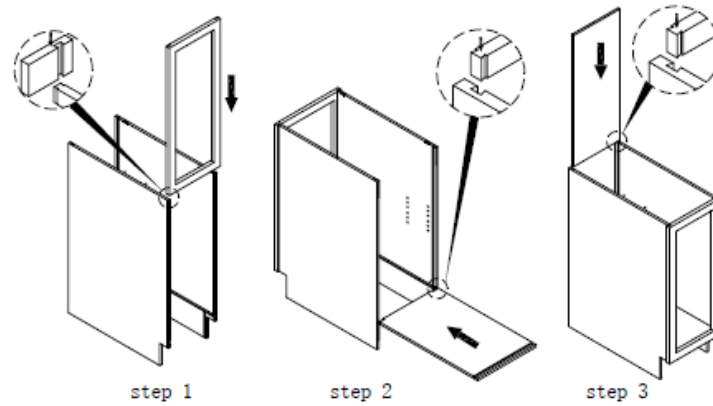
# MB33



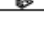
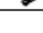
A		24 1/2"	8	B			4
B			8	F			4
C			8	G		23 1/2"	30
D			8				

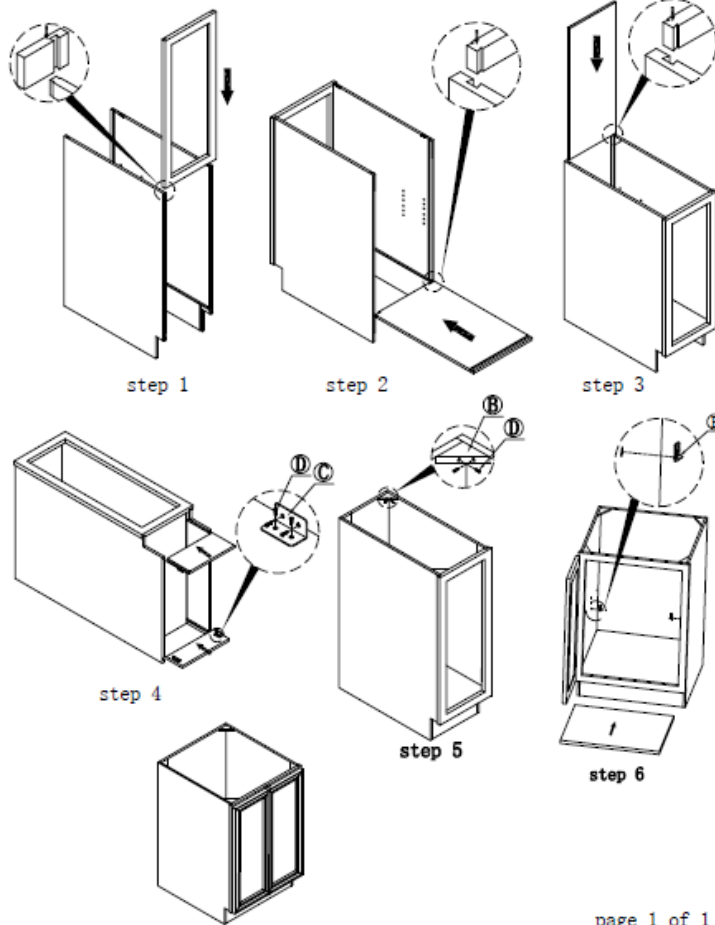


B09/B9FHD  
 /B12FHD  
 /B18FHD"

B		4	D		ø3x1/2"	4
C		4	E			4



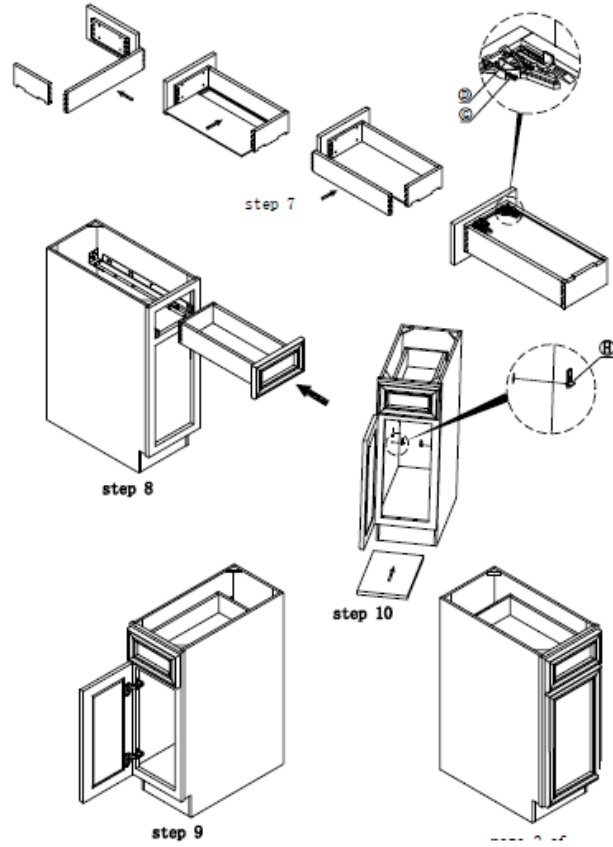
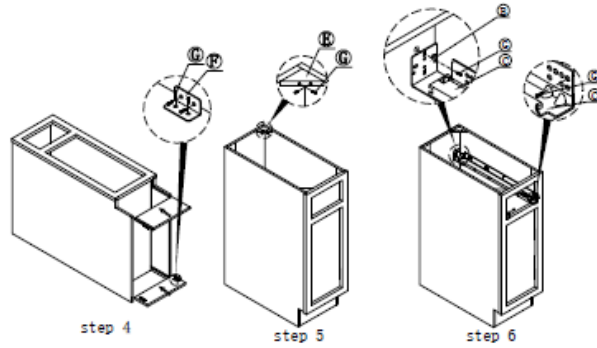
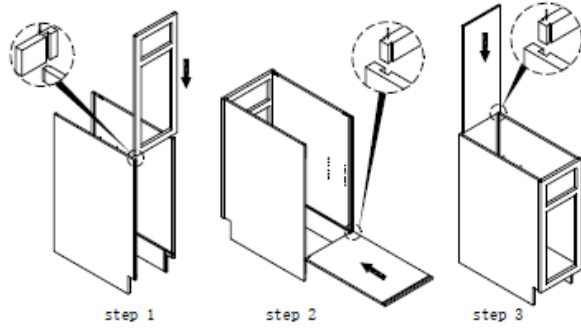
B			4	D		ø3x1/2"	4
C			4	E			4






B24FHD

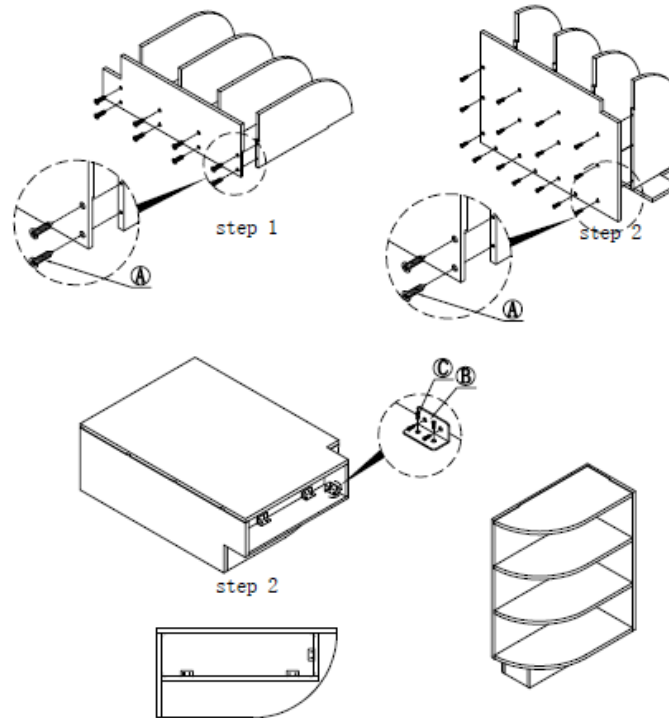
B12"-B21"

A		#4x1"	8	E		4
B			2	F		4
C			2	G	#3x1/2"	20
D			2	H		4



# BES24R

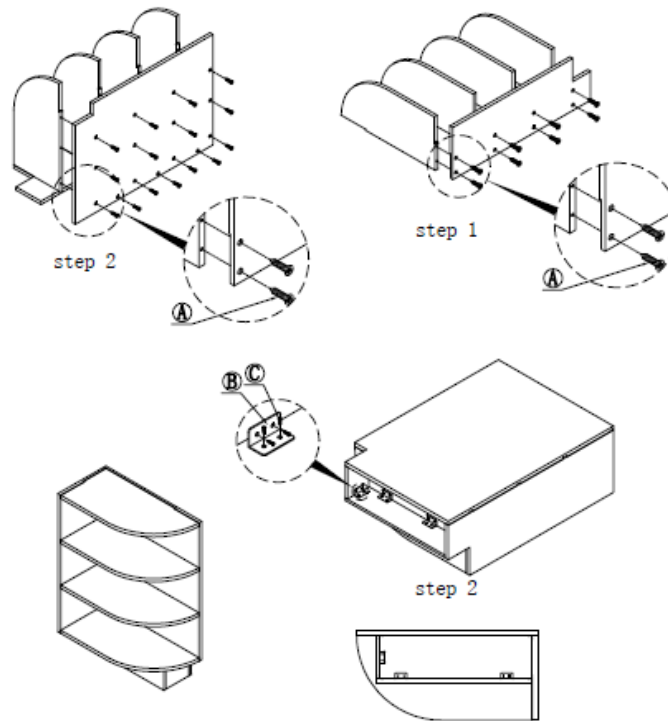
A		ø4*1"	23	C		ø3*1/2"	28
B			7				





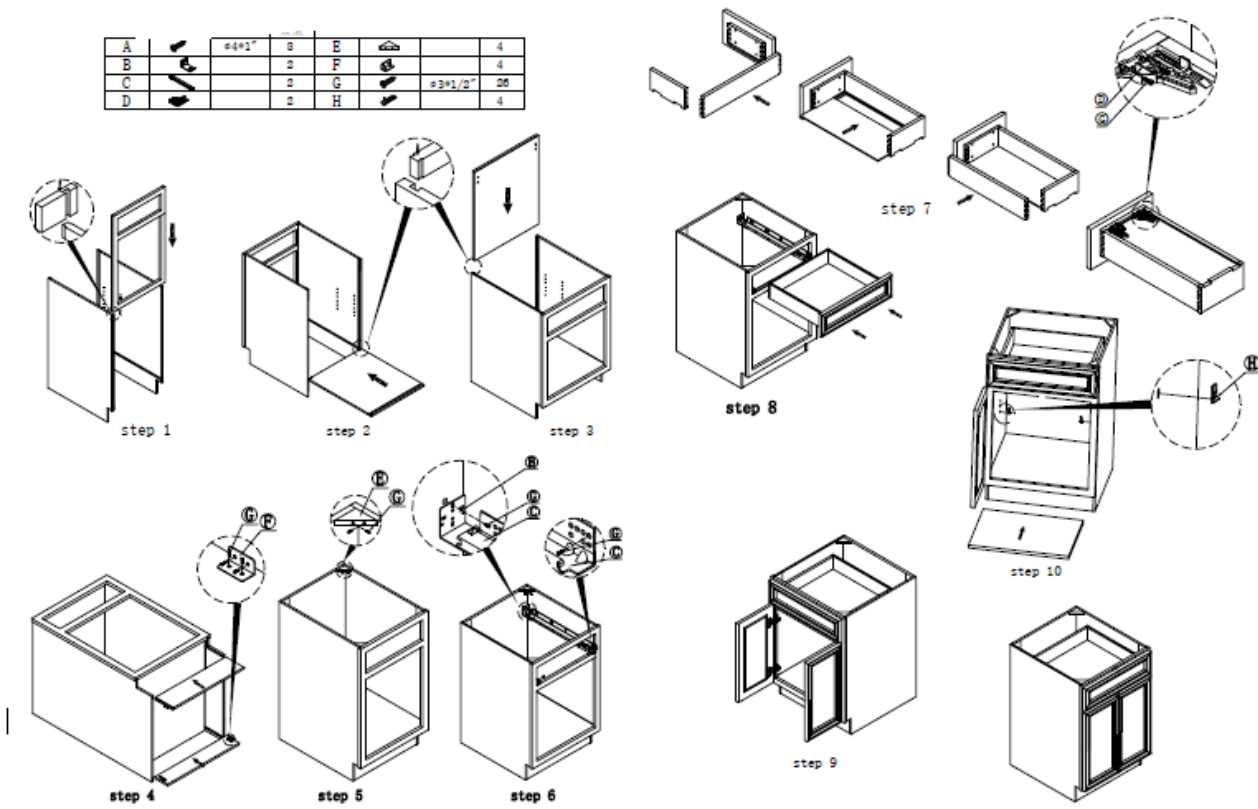
# BES24L

Part	Quantity	Dimensions	Part	Quantity	Dimensions	
A	4	ø4*1"	23	C	ø3*1/2"	28
B	4		7			







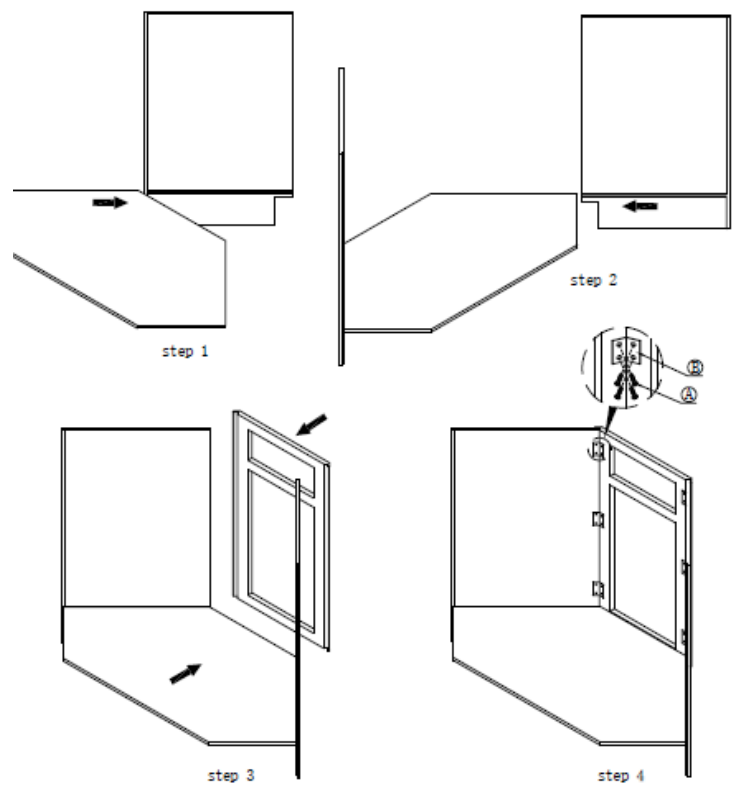
B24"-B27"

A		≈4×1"	8	E			4
B			2	F			4
C			2	G		≈3×1/2"	20
D			2	H			4

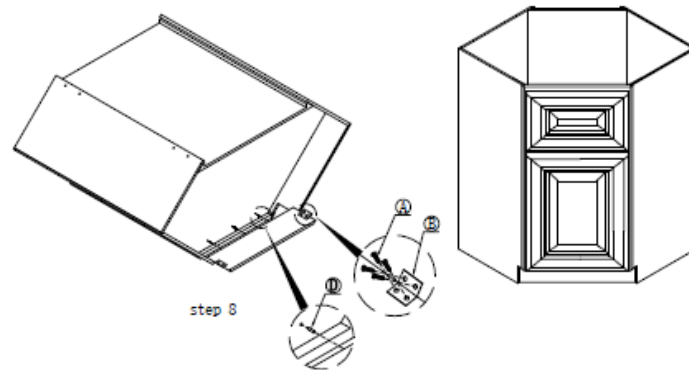
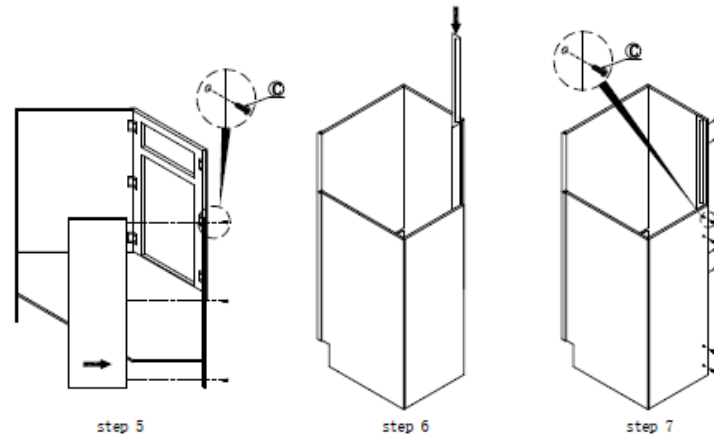


# CSB36 CSB42





A		ø3*1/2"	32	C		ø4*1"	12
B			8	D		ø6*30	3

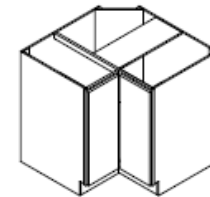
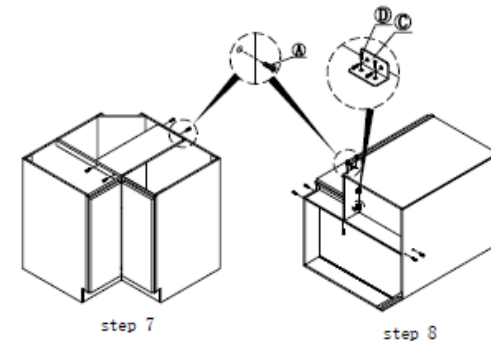
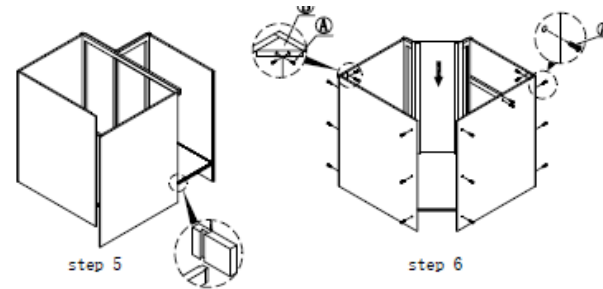
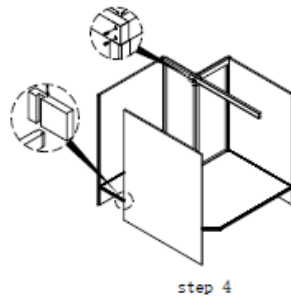
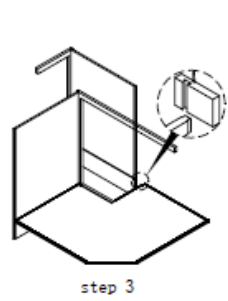
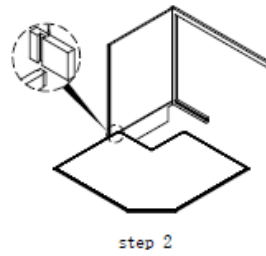
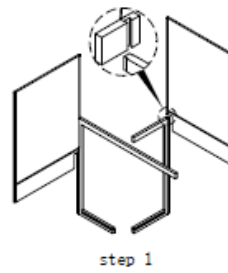


# CSB36 CSB42



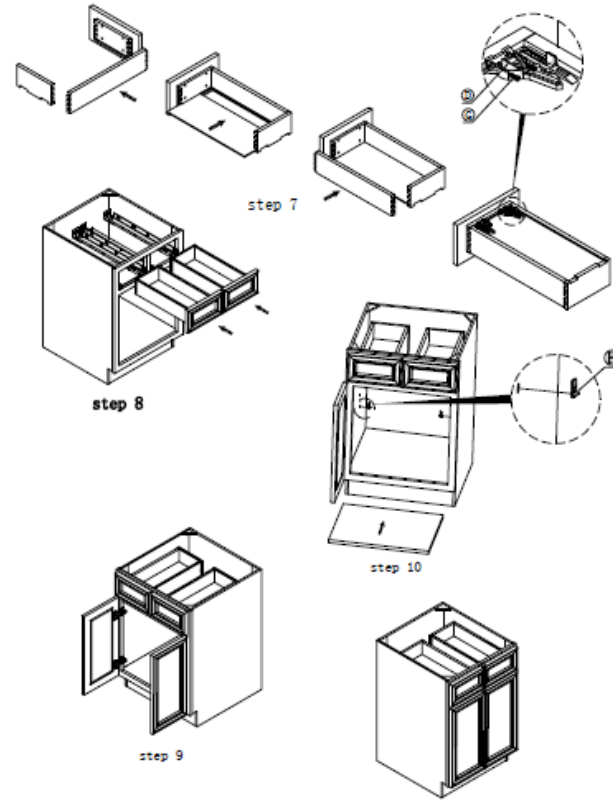
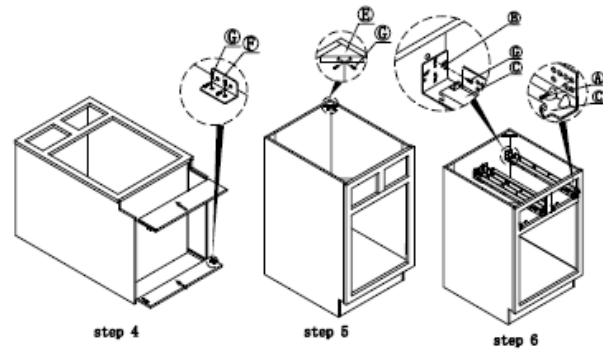
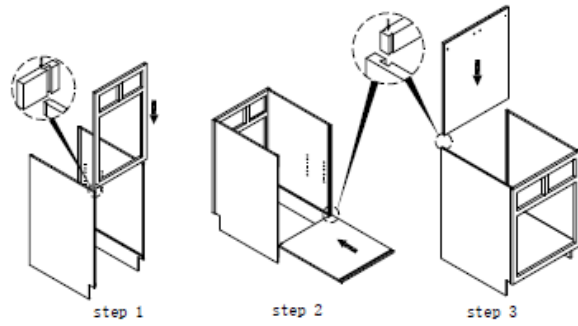
# LS33 LS36

A		φ4*1"	33	C			5
B			2	D		φ3*1/2"	20



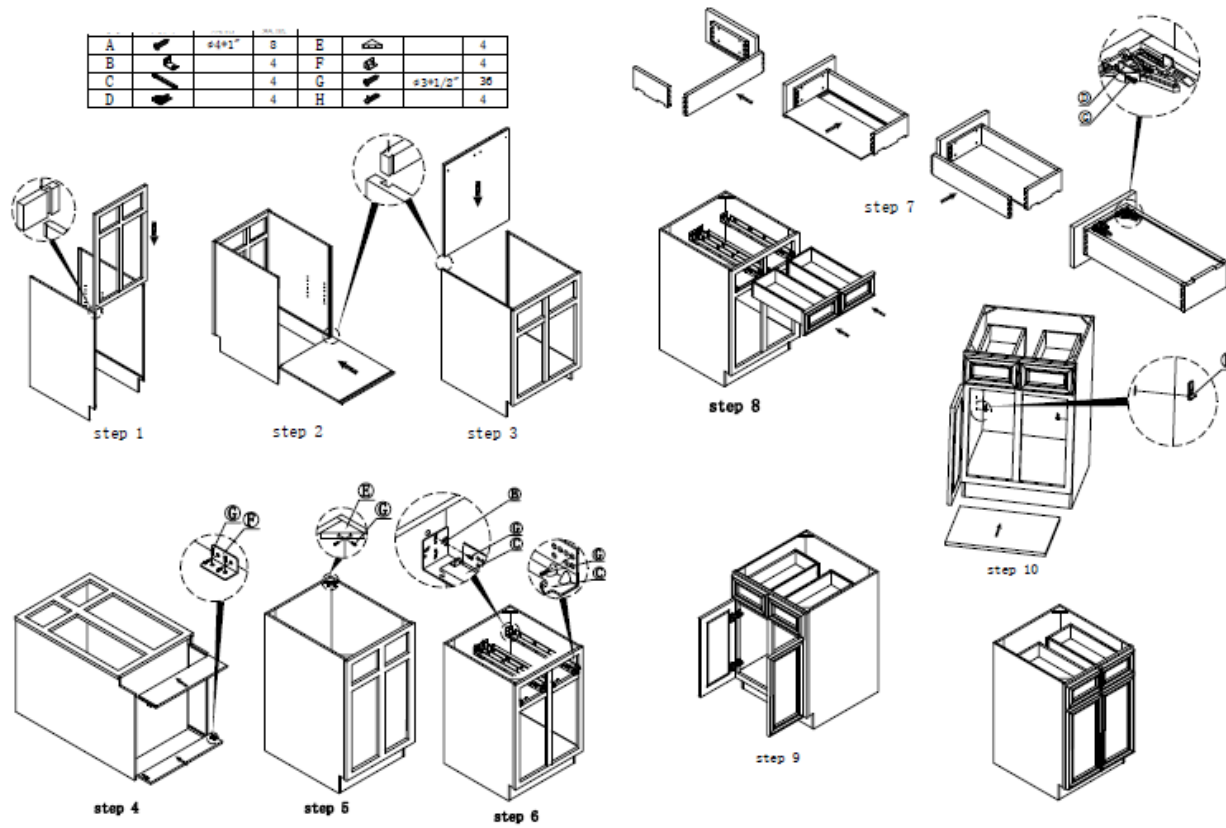
B30"-B36"

A		ø3x3/4"	8	B		4
B			4	F		4
C			4	G		ø3x1/2"
D			4	H		4







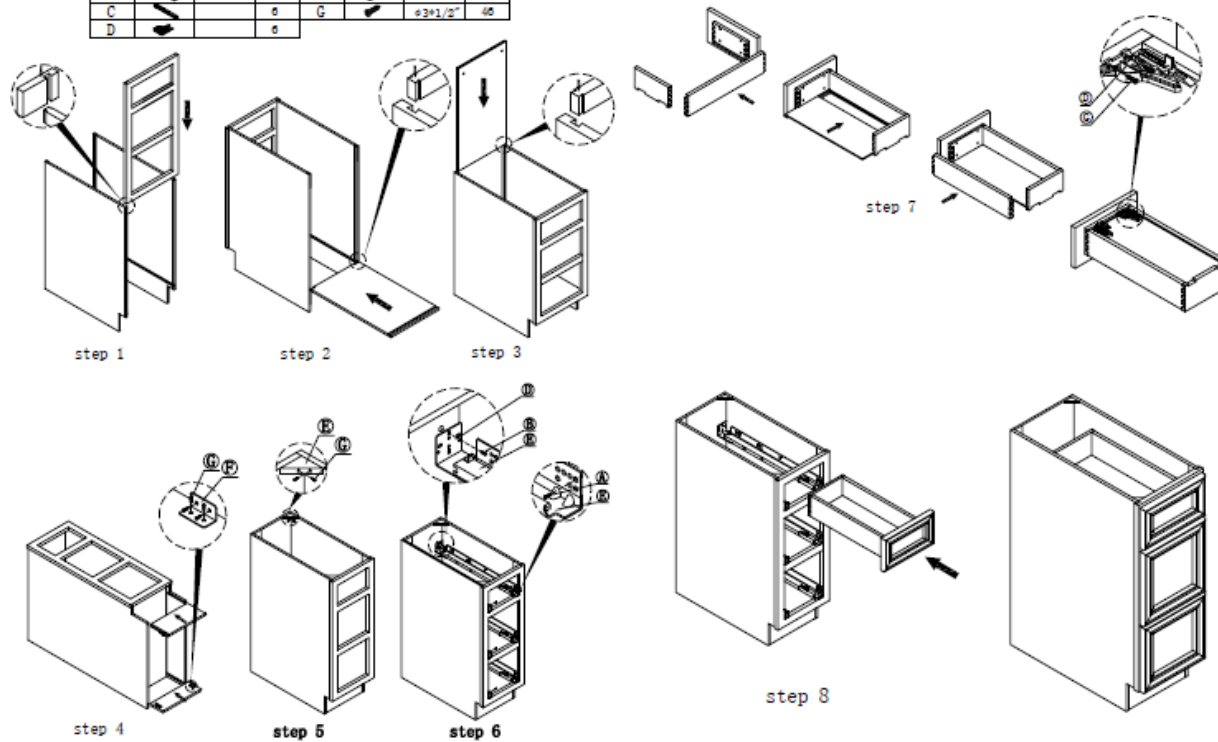
B39"-B42"

		QTY	NO.			QTY
A		4491*	8	B		4
B			4	F		4
C			4	G		20
D			4	H		4










DB12"-DB36"

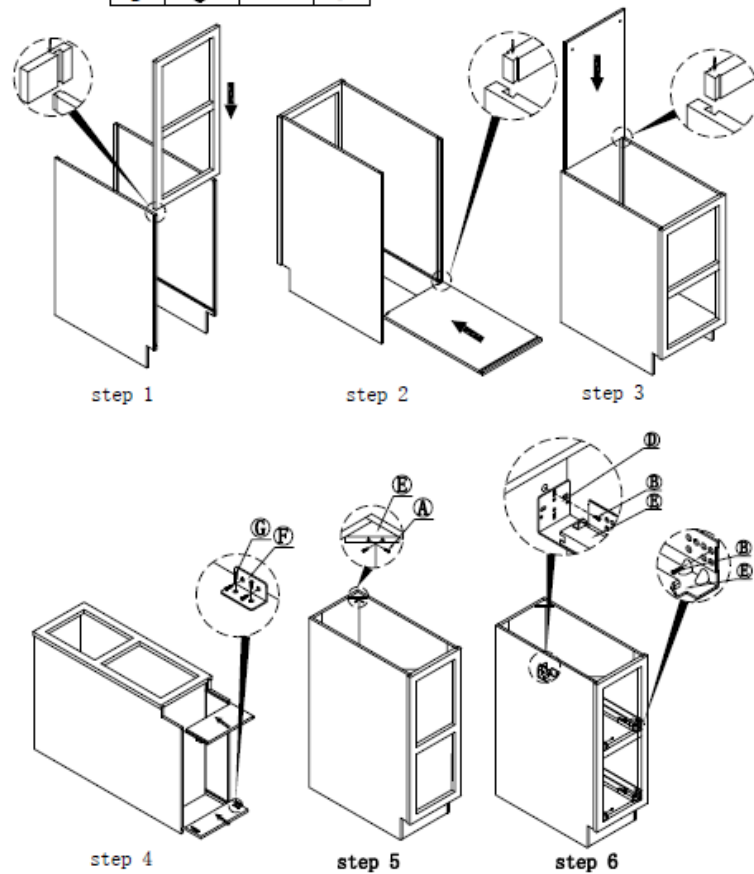
A		#3x3/4"	8	E			4
B			6	F			4
C			6	G		#3x1/2"	16
D			6				

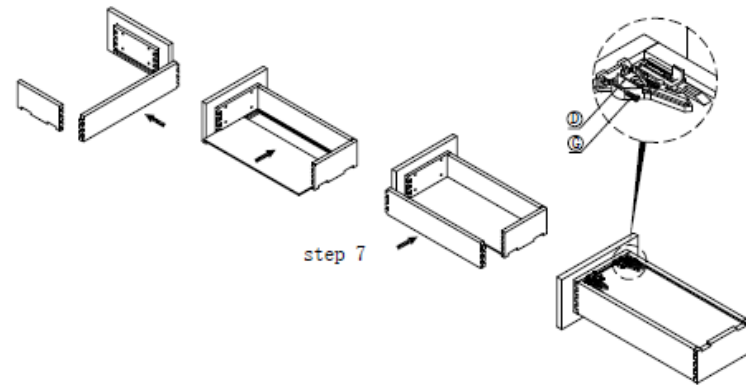




# DB-2

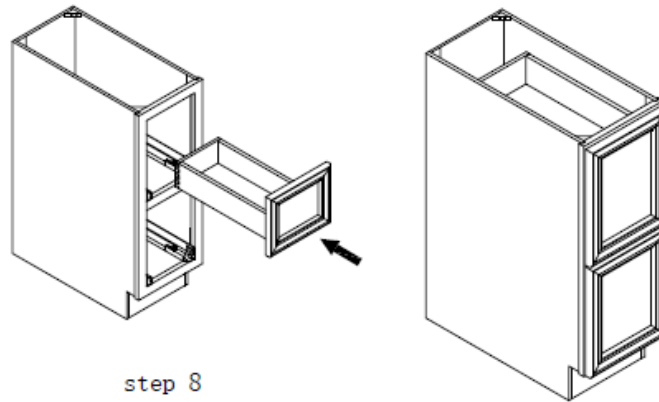
A		φ4×1"	8	E			4
B			4	F			4
C			4	G		φ3×1/2"	36
D			4				








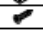



step 7

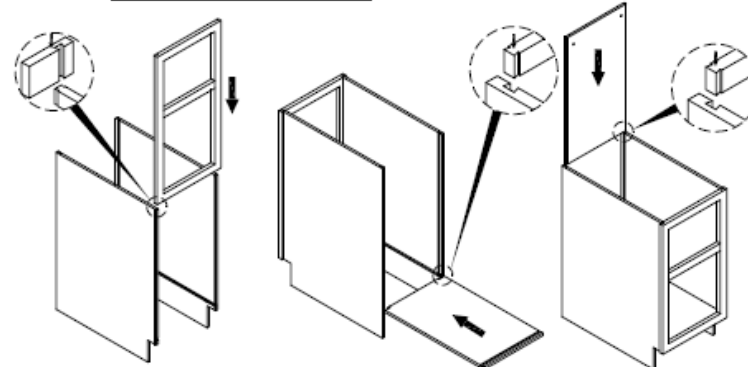
DB-2



step 8

# DFB18-2

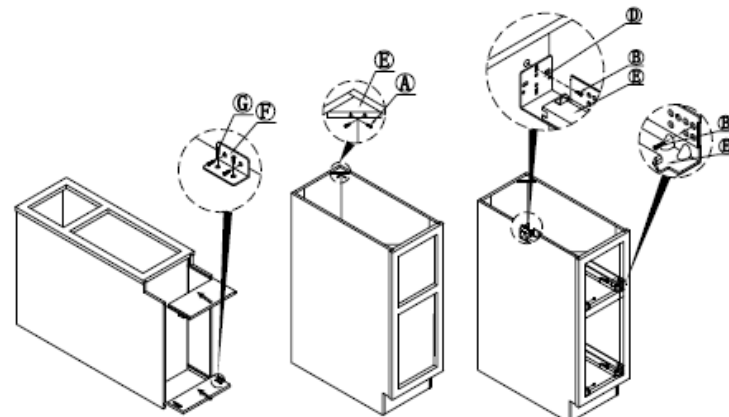
A		ø4*1"	8	E			4
B			4	F			4
C			4	G		ø3*1/2"	36
D			4				



step 1

step 2

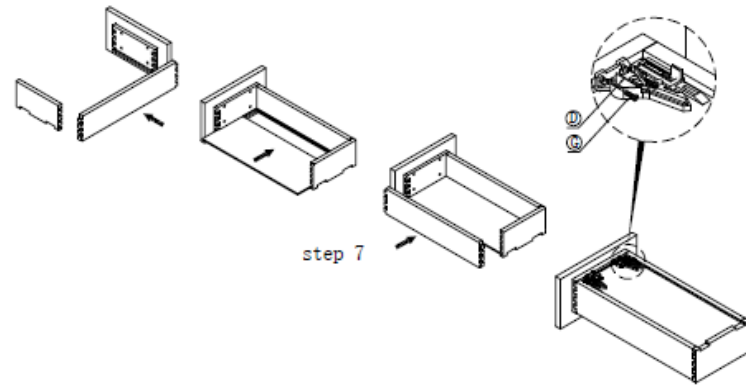
step 3



step 4

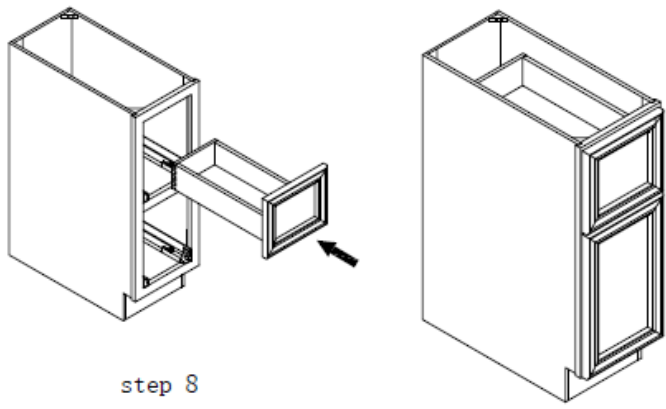
step 5

step 6



step 7

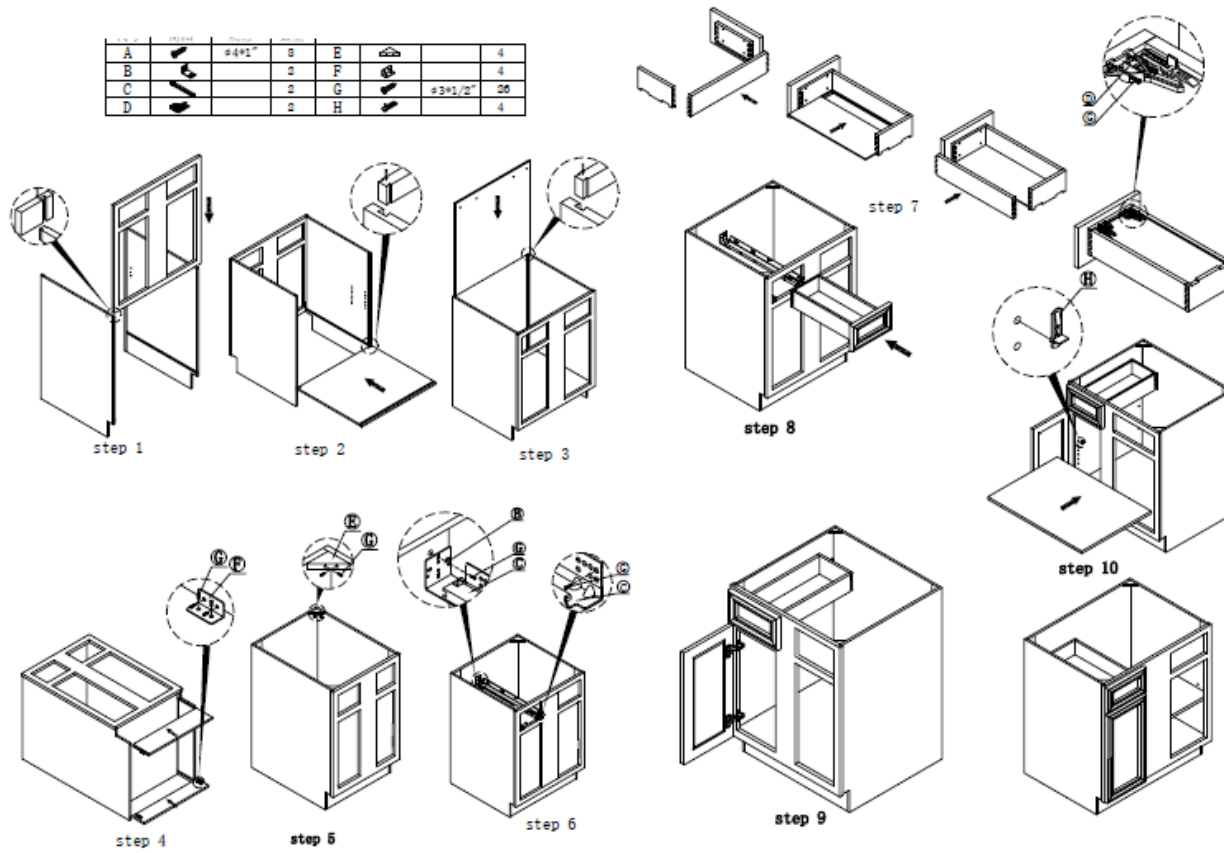
DFB18-2



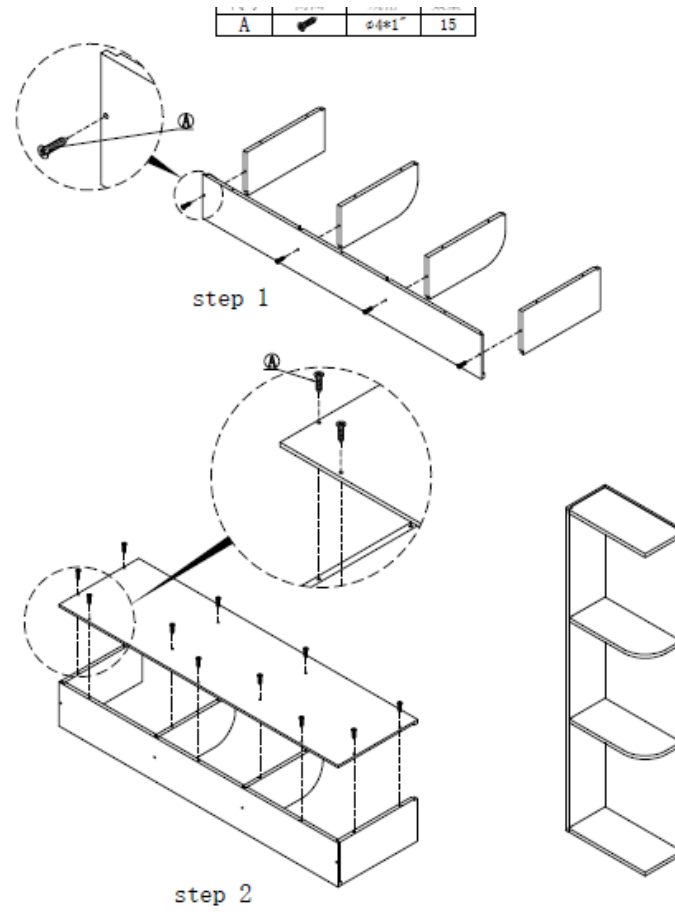
step 8

BLB36/39  
 BLB39/42  
 BLB42/45





Part No.	Part Name	Qty	Part No.	Part Name	Qty
A	±4x1"	8	E		4
B		2	F		4
C		2	G	±3x1/2"	28
D		2	H		4

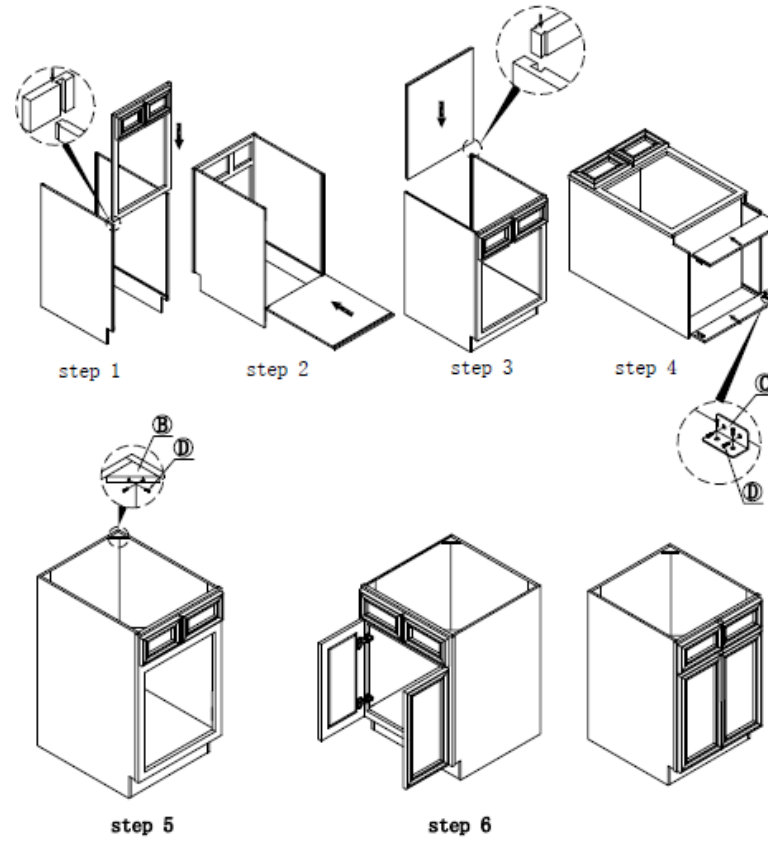


# WESR630

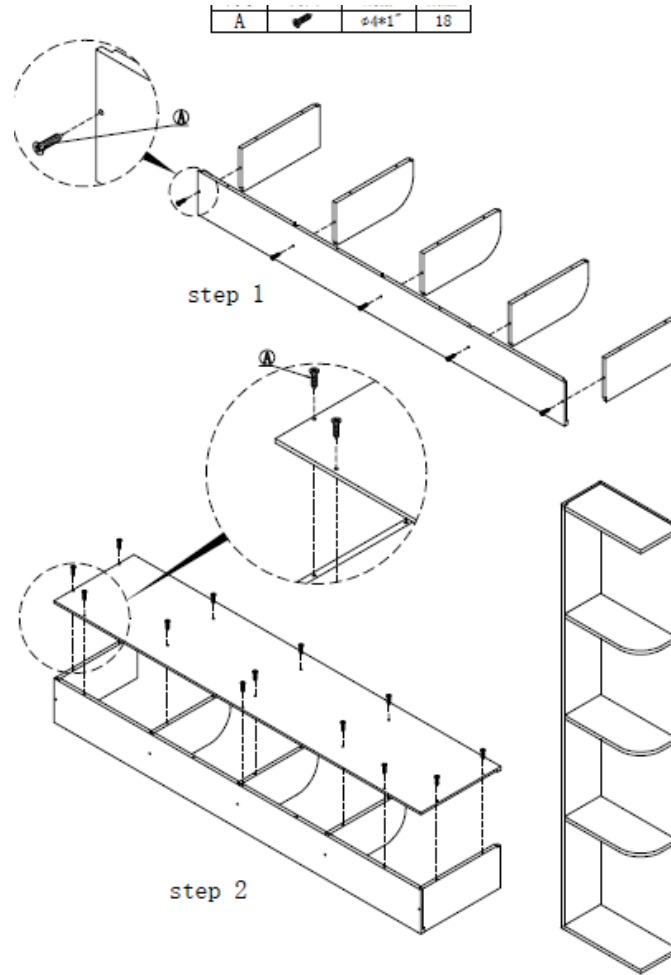


SB33"-36"

A		ø4*1"	8	C			4
B			4	D		ø3*1/2"	16


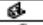




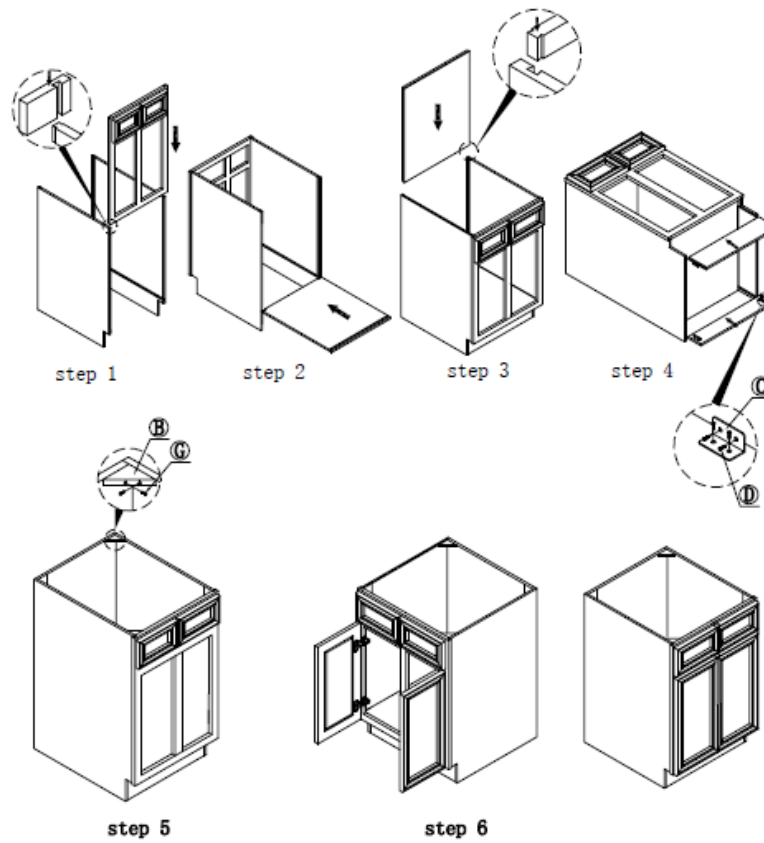
WESR636



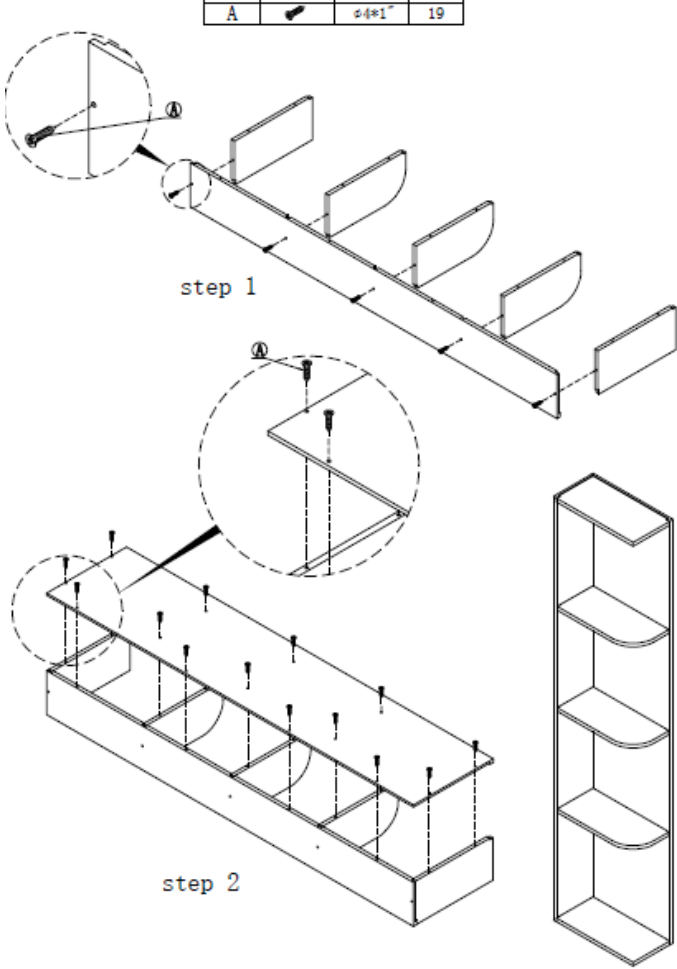


SB39"-42"

A		ø4*1"	8	C			4
B			4	D		ø3*1/2"	16

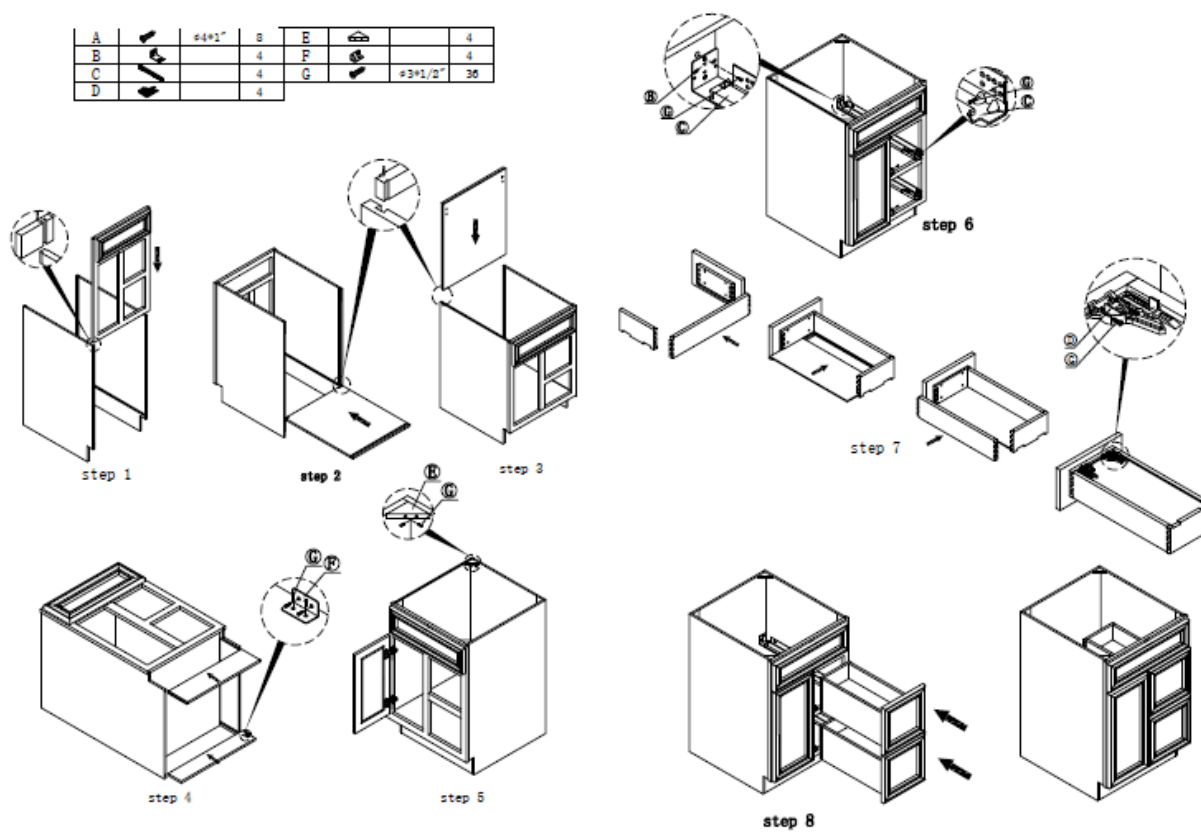


WESR642



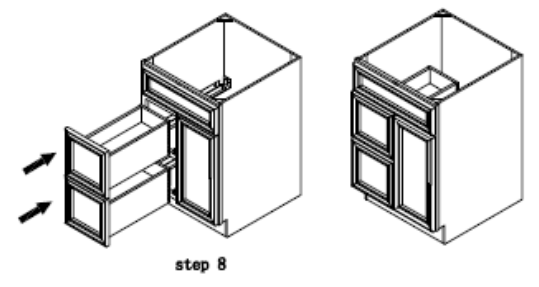
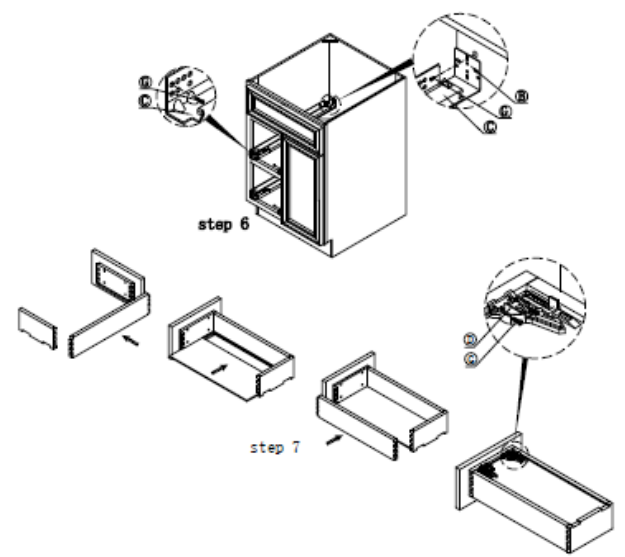
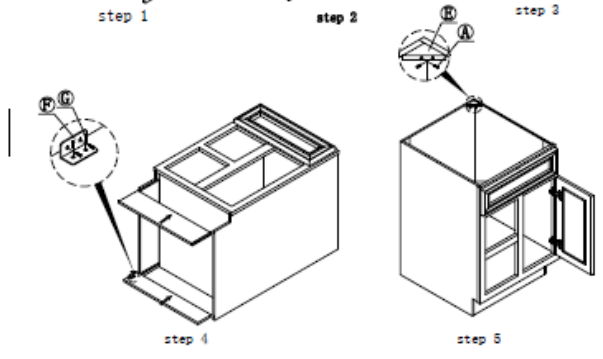
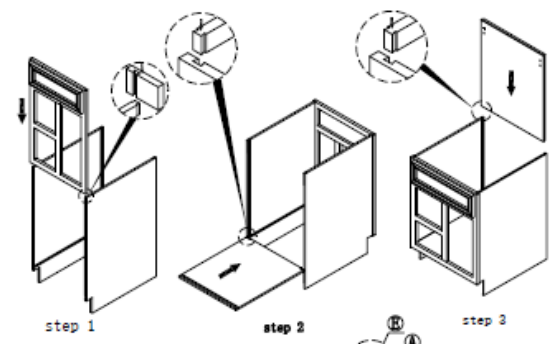
# V3021DR

A		#4*1"	8	E		4
B			4	F		4
C			4	G		#3*1/2" 30
D			4			



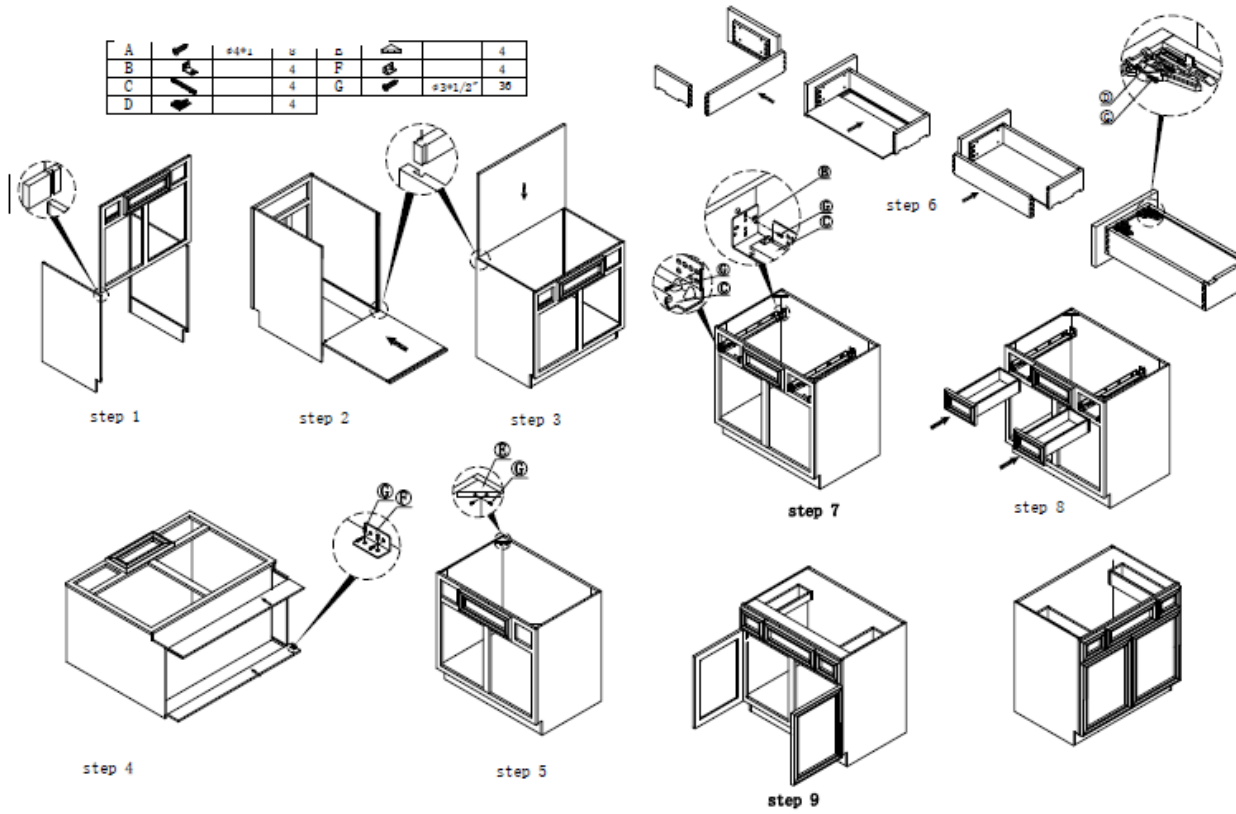
# V3021DL

A		#4*1"	8	Top		4
B			4	Top		4
C			4	G	#3*1/2"	30
D			4	H		4







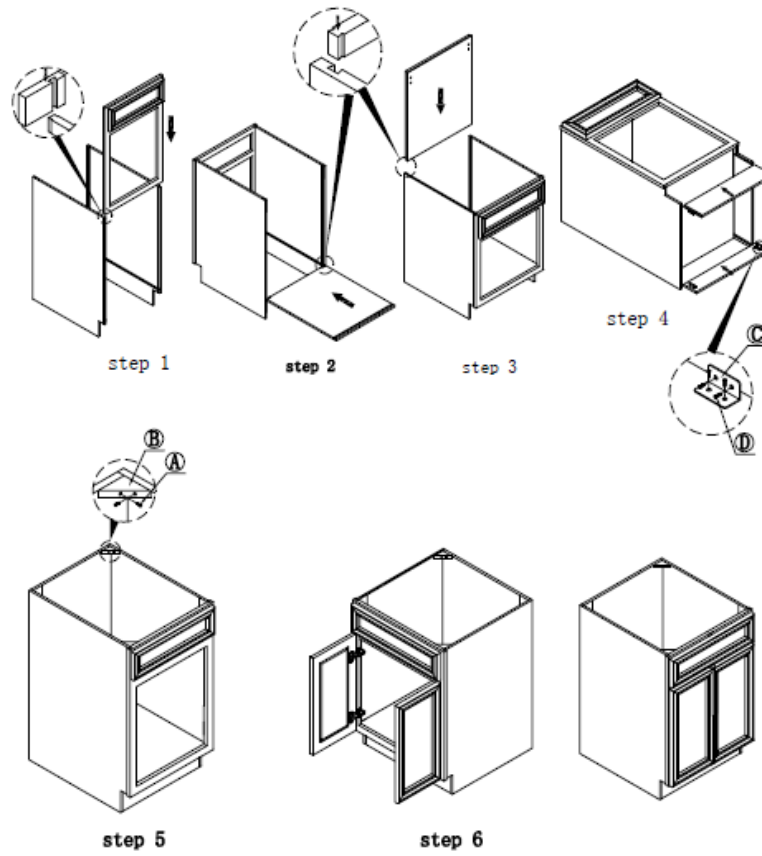
# VB4221

A		#4*	v	d		4
B			4	F		4
C			4	G		#3*/2*
D			4			



V2421  
 V2721  
 V3021  
 V3621

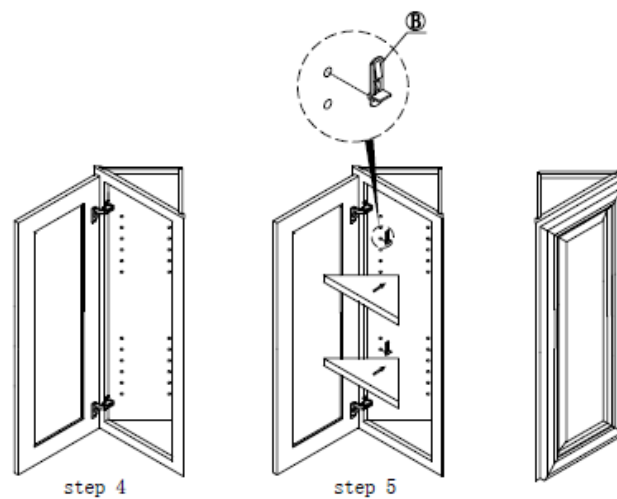
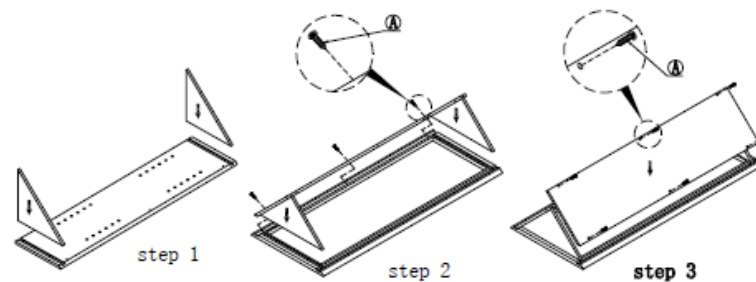
A		ø4*1"	8	C		4
B			4	D		16



AW1230

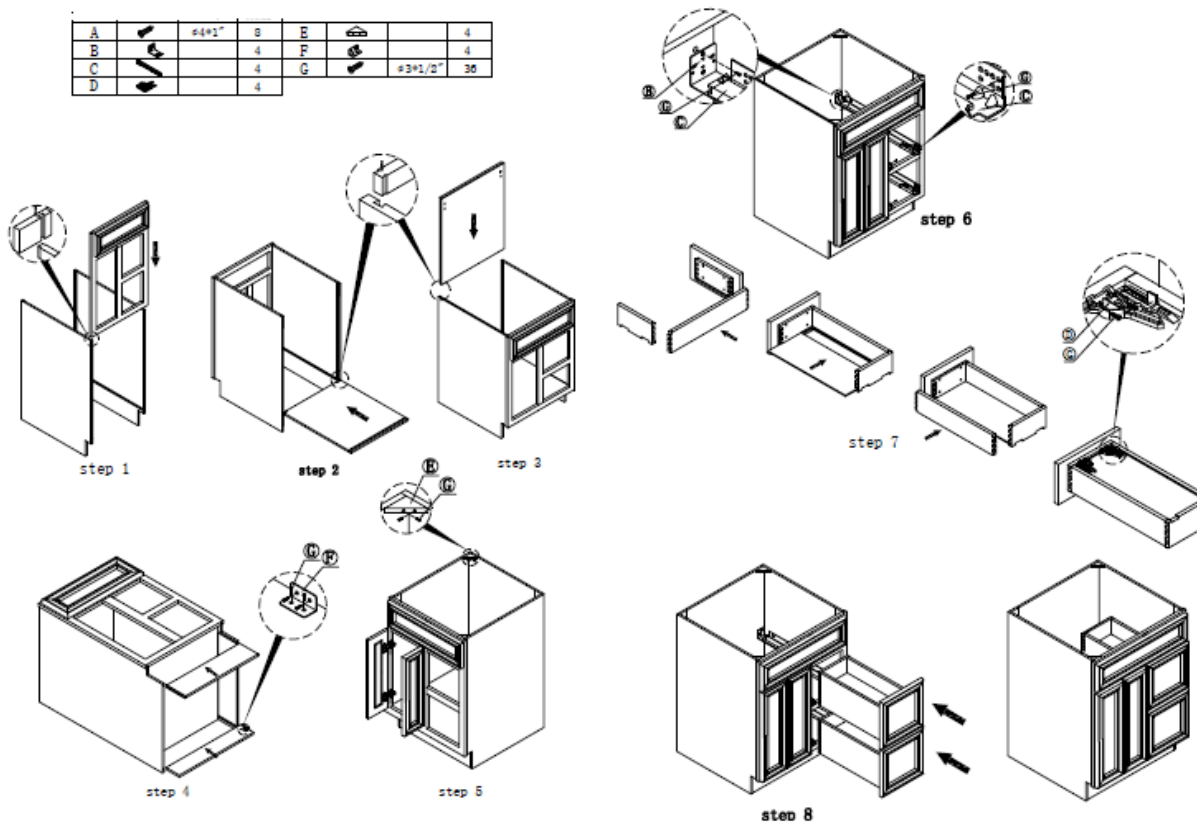
AW1236

A		4*1"	9	B		8
---	---	------	---	---	---	---



# V3621DR

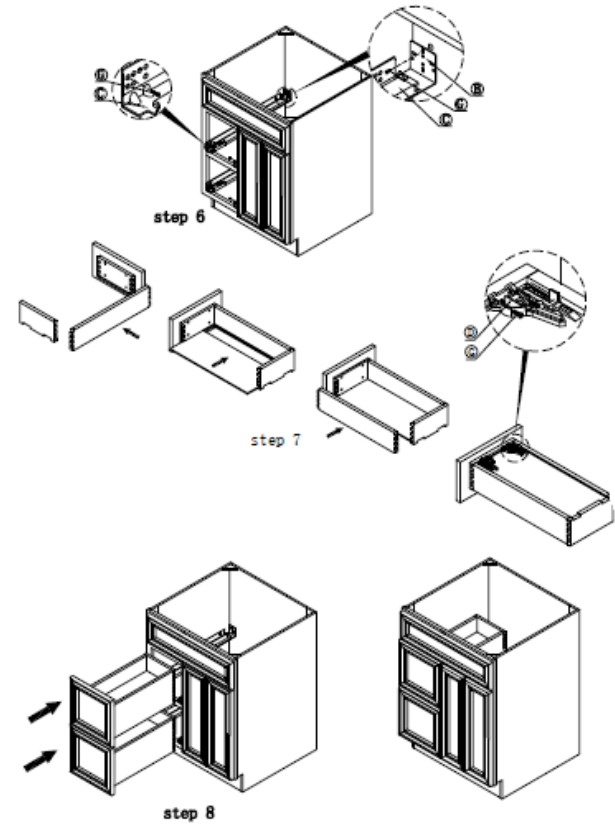
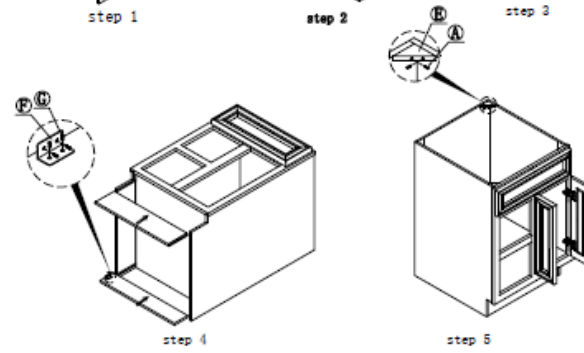
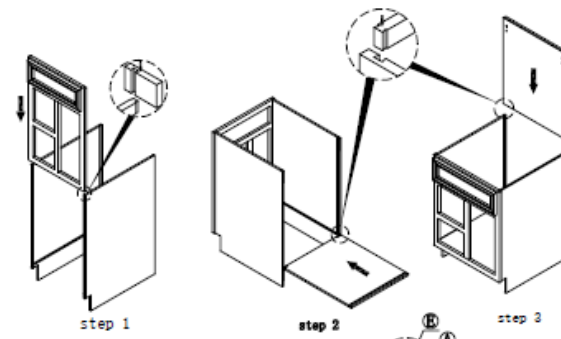
A		#4x1"	8	B			4
B			4	F			4
C			4	G		#3x1/2"	30
D			4				





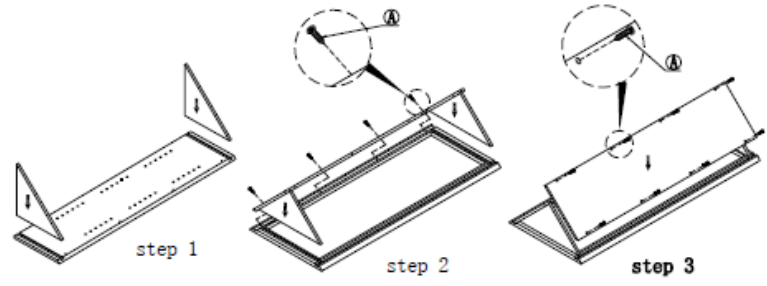


# V3621DL

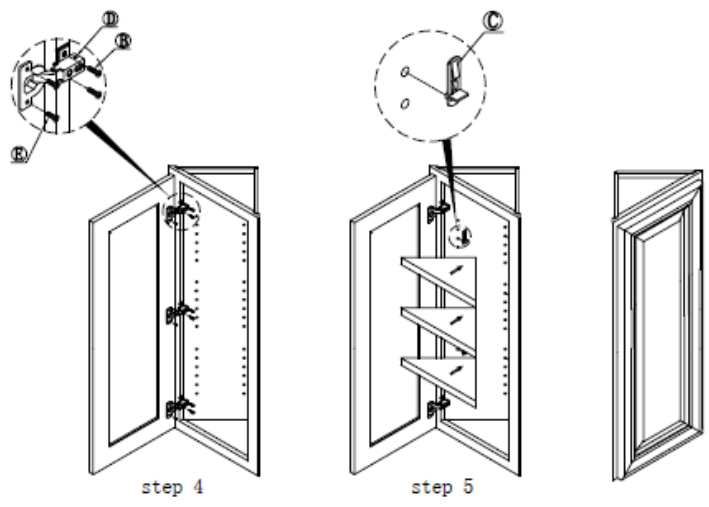
零件	规格	数量	备注
A	#4*1"	8	
B		4	
C		4	
D		4	
E		4	
F		4	
G	#3*1/2"	36	






A		±4*1"	12	B			12
---	---	-------	----	---	---	--	----

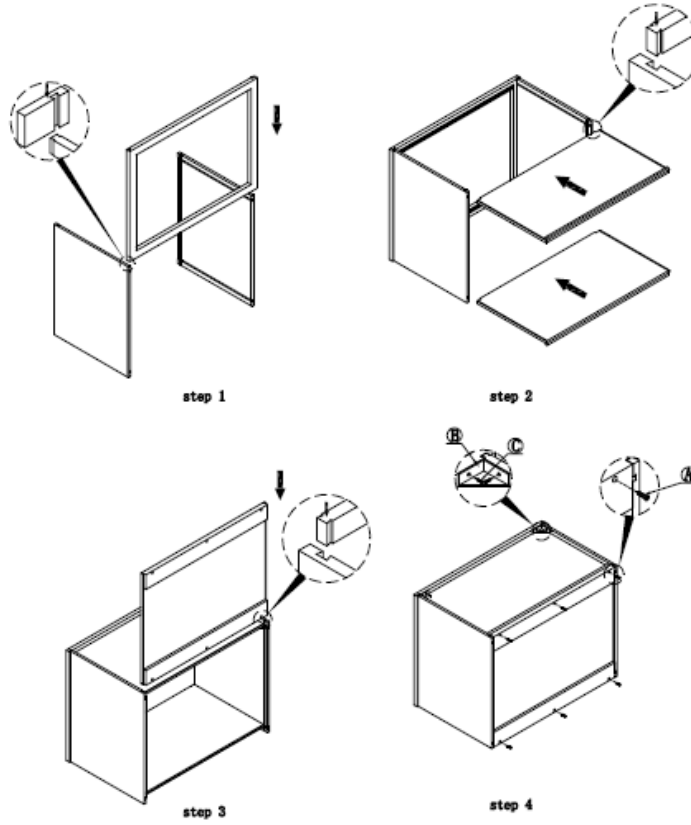


AW1242

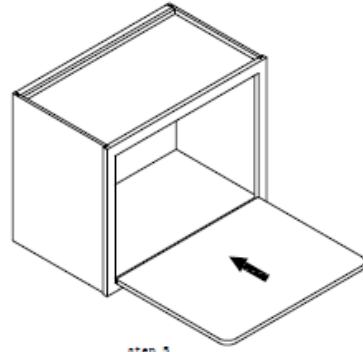


# MS3018

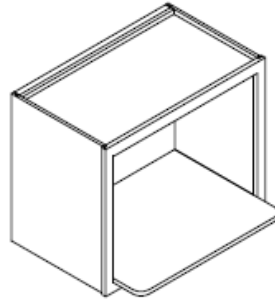
A		ø4*1"	9	C		ø4*1/2"	8
B			4				



MS3018



step 5

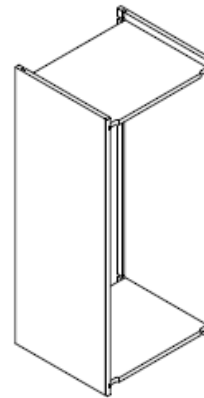
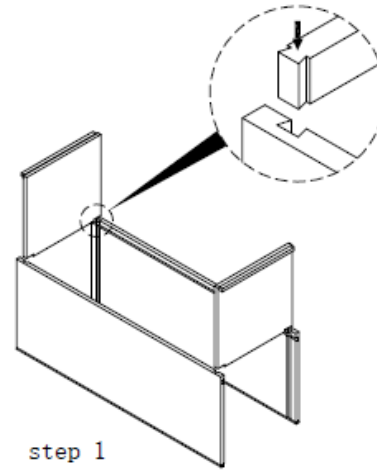



WKIT30

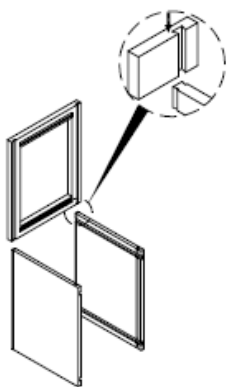
WKIT36

WKIT42

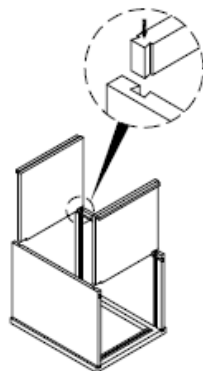
Assembly instructions



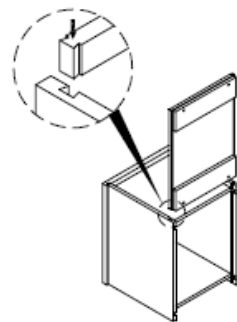
A		Ø4*1"	4	C		Ø4*1/2"	8
B			4				



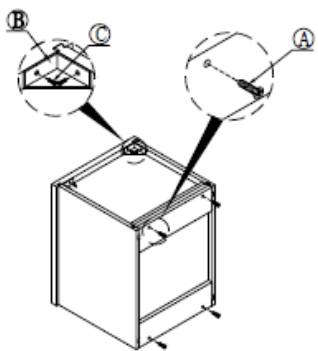
step 1



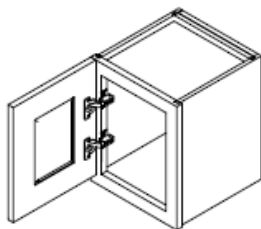
step 2



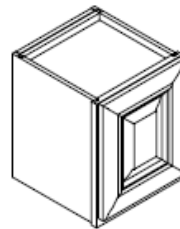
step 3






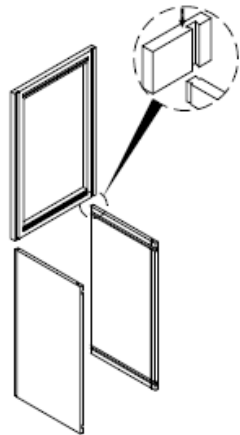
step 4



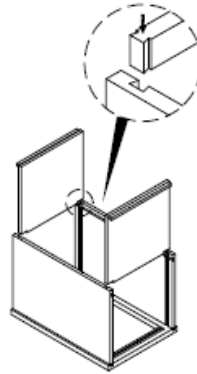
step 5



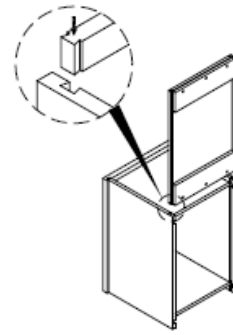
A		ø4*1"	6	C		ø4*1/2"	8
B			4				



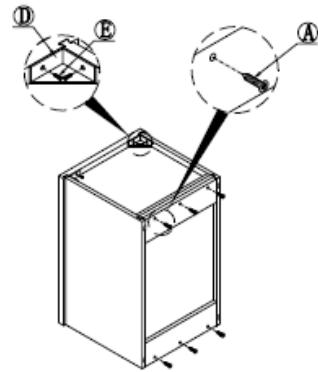
step 1



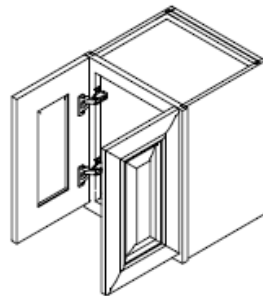
step 2



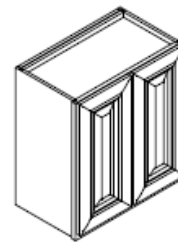
step 3







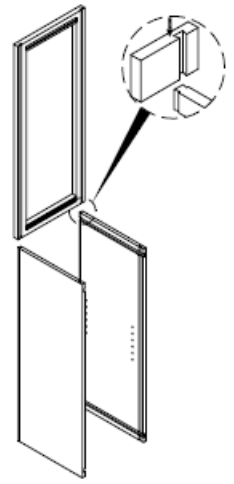
step 4



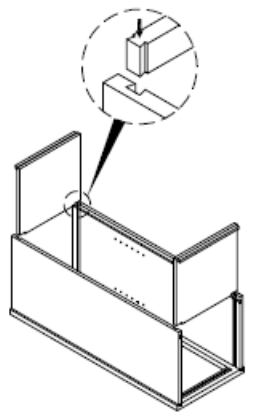
step 5



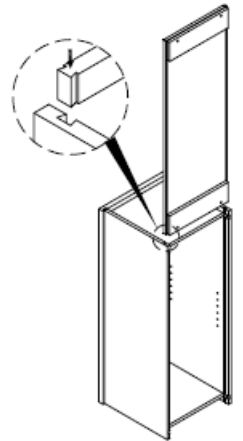
A		φ4*1"	4	C		φ4*1/2"	8
B			4	D			4



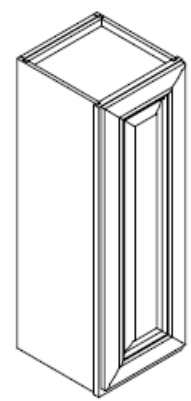
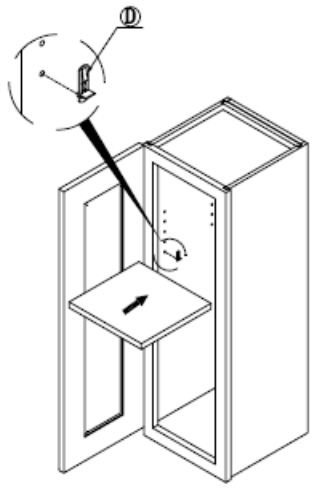
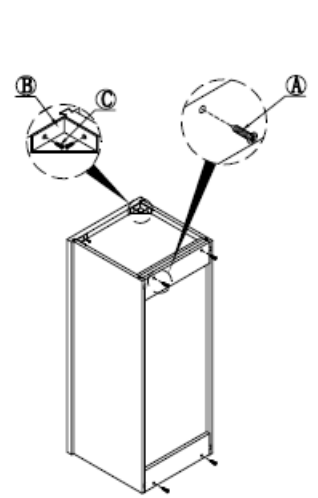
step 1







step 2

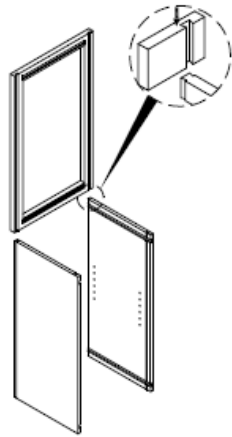


step 3

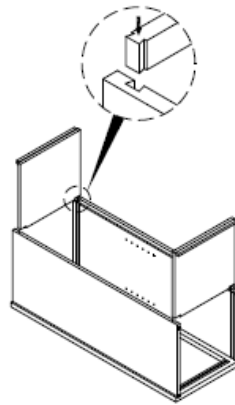




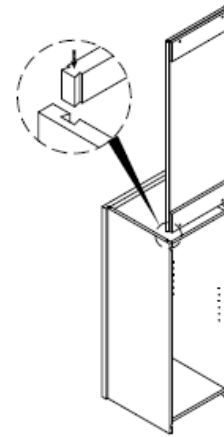
A		Ø4*1"	6	C		Ø4*1/2"	8
B			4	D			4



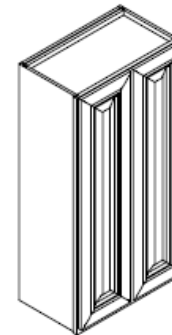
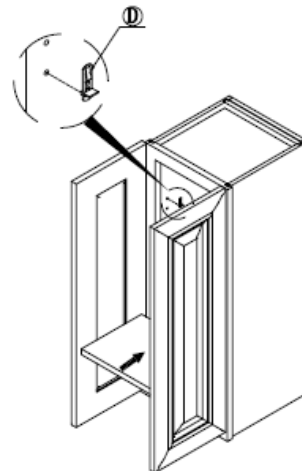
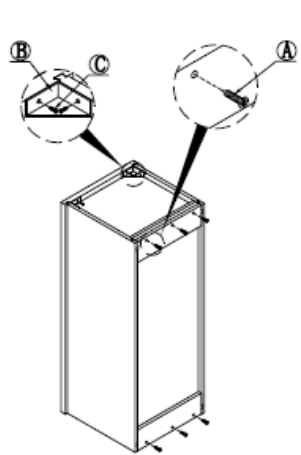
step 1







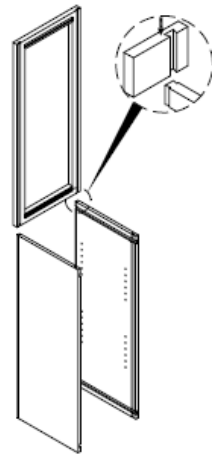
step 2



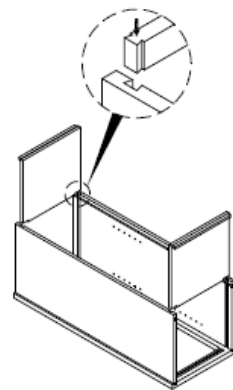
step 3



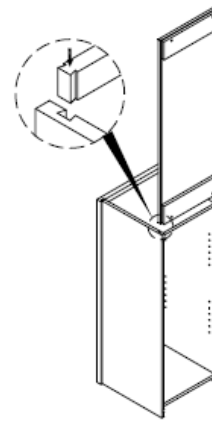
A		Ø4*1"	4	C		Ø4*1/2"	8
B			4	D			8



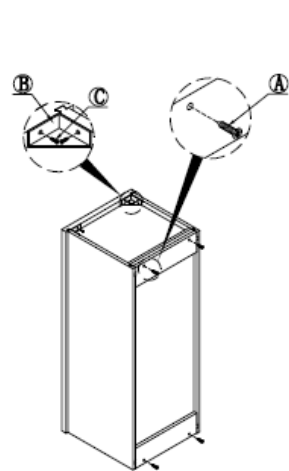
step 1



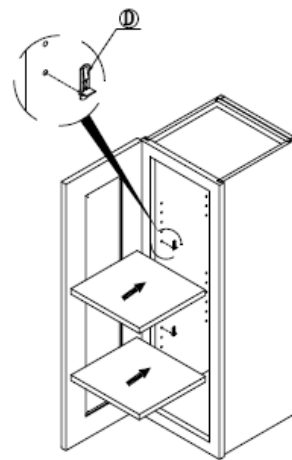
step 2



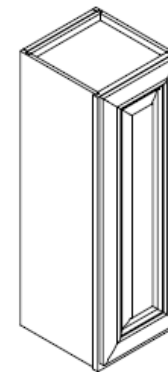
step 3







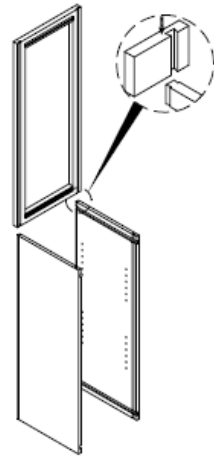
step 4



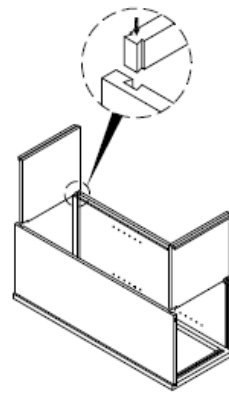
step 5



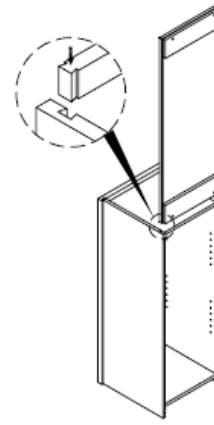
A		Ø4*1"	6	C		Ø4*1/2"	8
B			4	D			8



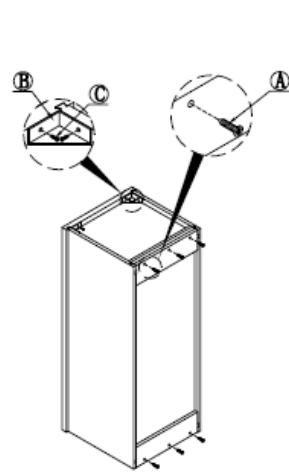
step 1



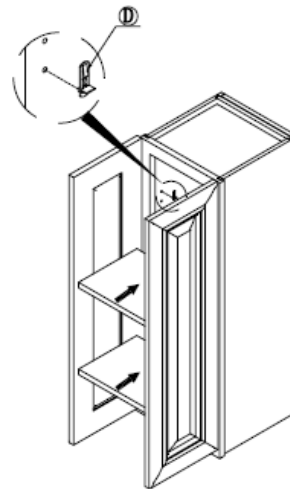
step 2



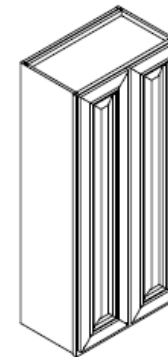
step 3







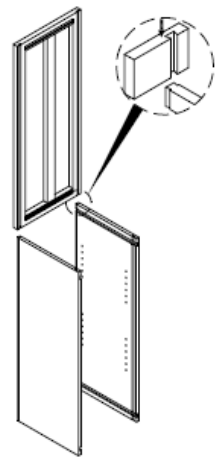
step 4



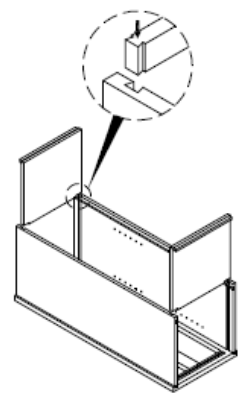
step 5



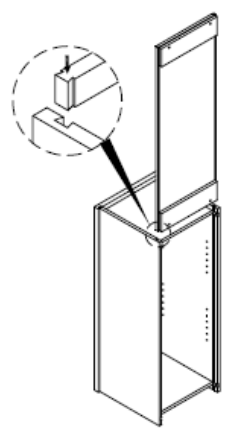
A		φ4*1"	6	C		φ4*1/2"	8
B			4	D			8



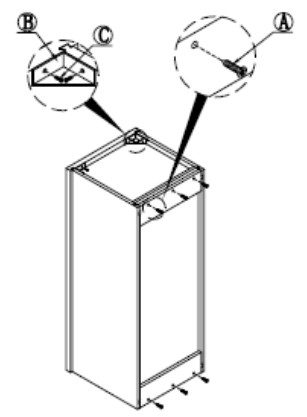
step 1



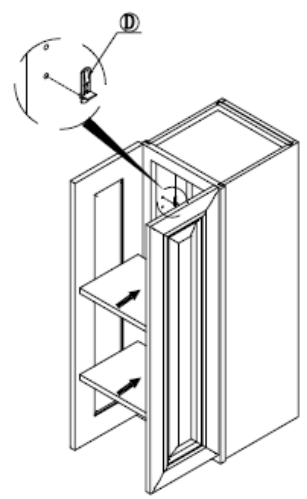
step 2



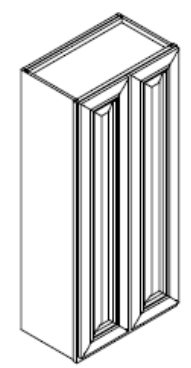
step 3







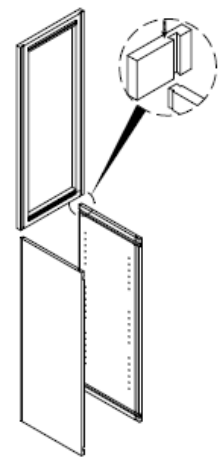
step 4



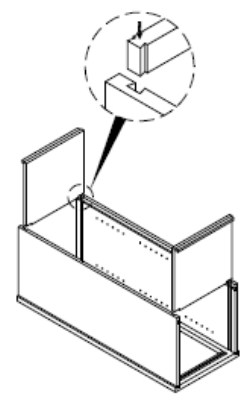
step 5



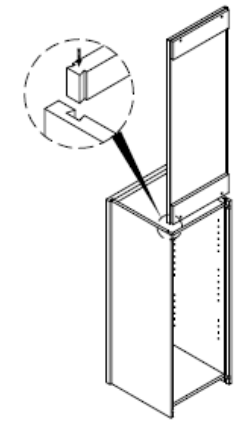
A		ø4*1"	4	C		ø4*1/2"	8
B			4	D			12



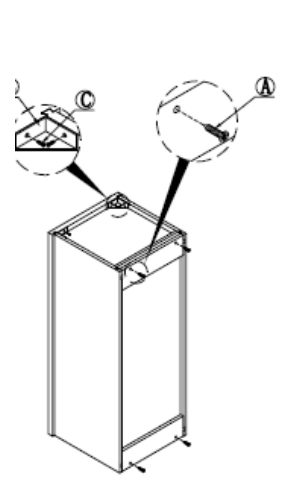
step 1



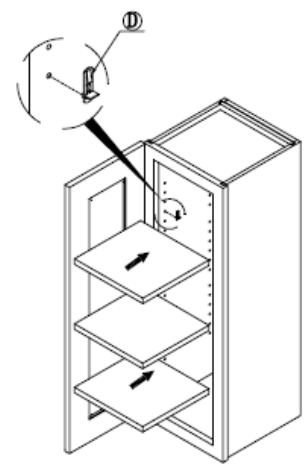
step 2



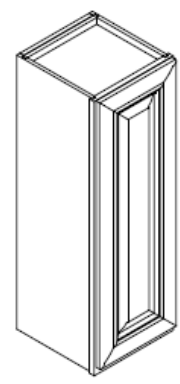
step 3







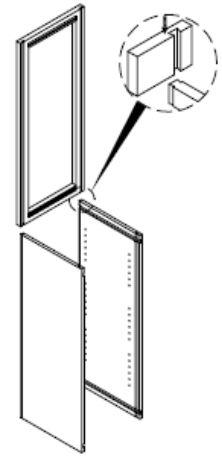
step 4



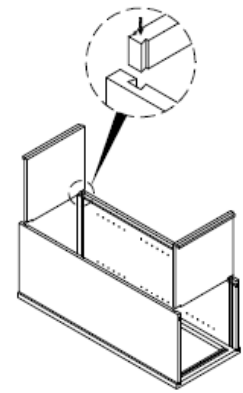
step 5



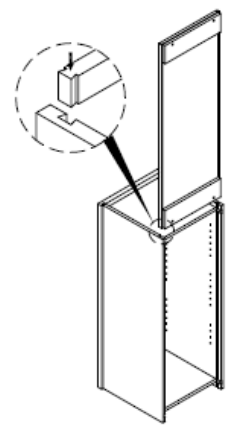
A		Ø4*1"	6	C		Ø4*1/2"	8
B			4	D			12



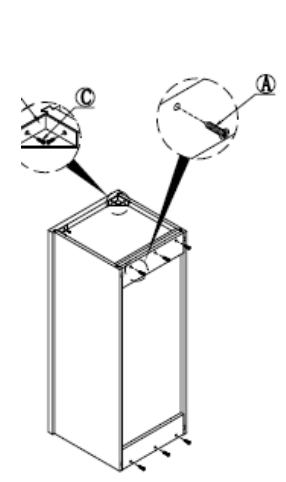
step 1



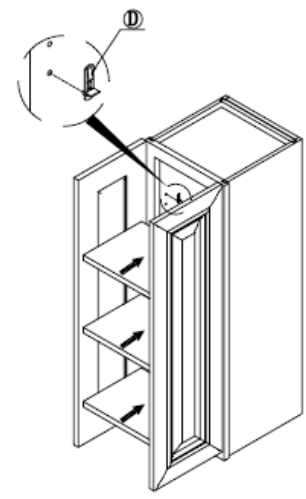
step 2



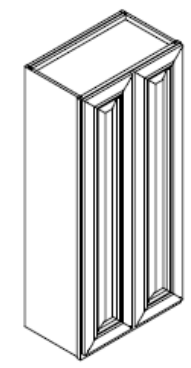
step 3







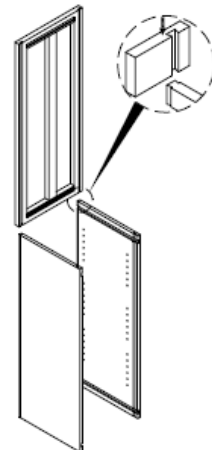
step 4



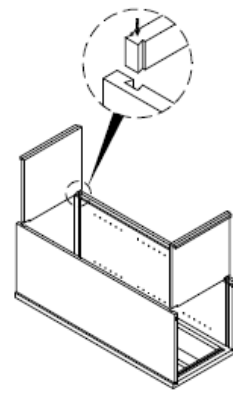
step 5



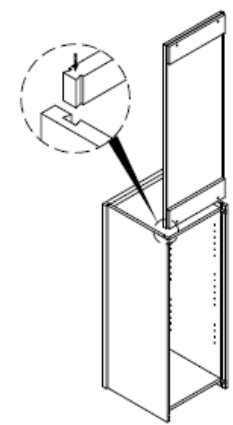
A		Ø4*1"	6	C		Ø4*1/2"	8
B			4	D			12



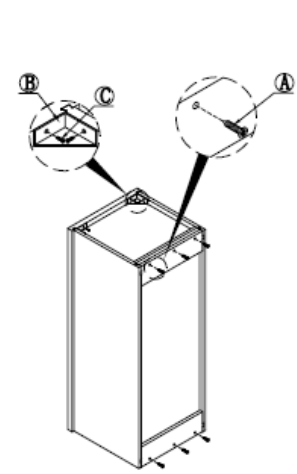
step 1



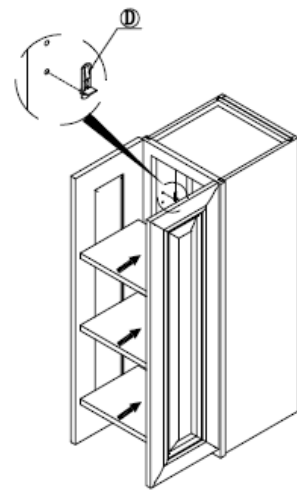
step 2



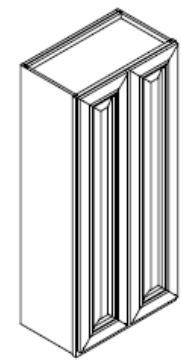
step 3






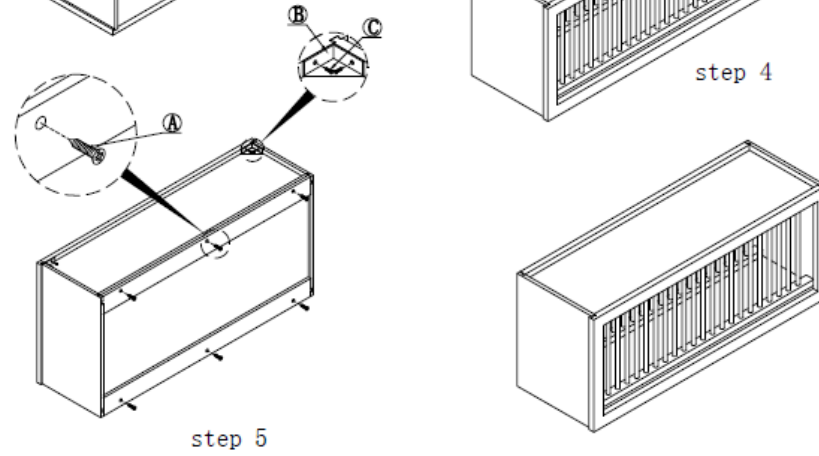
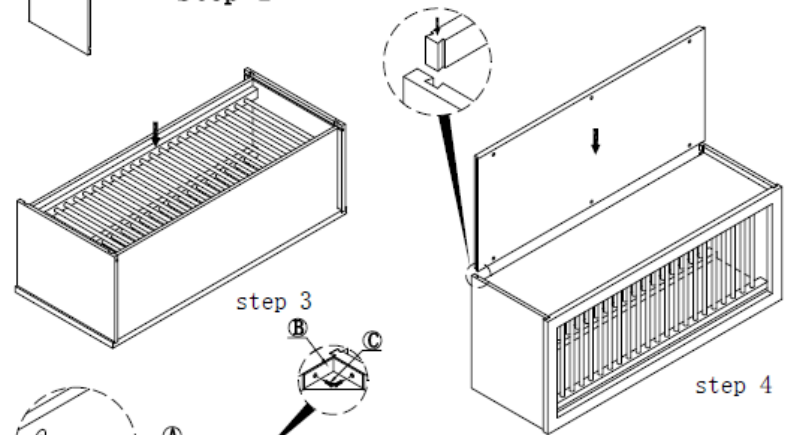
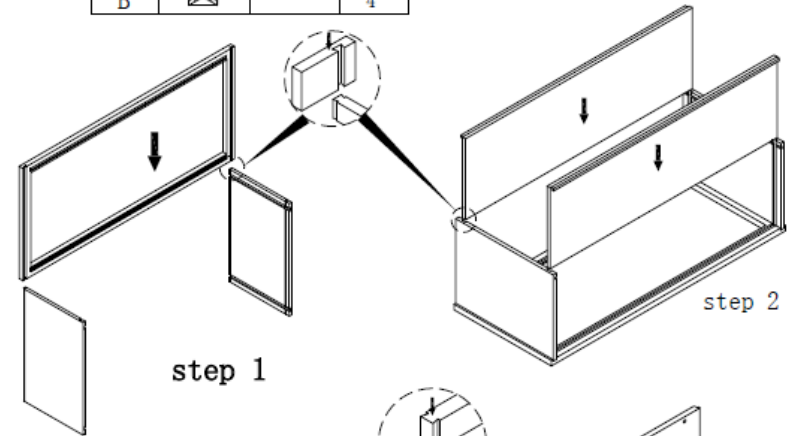
step 4






step 5

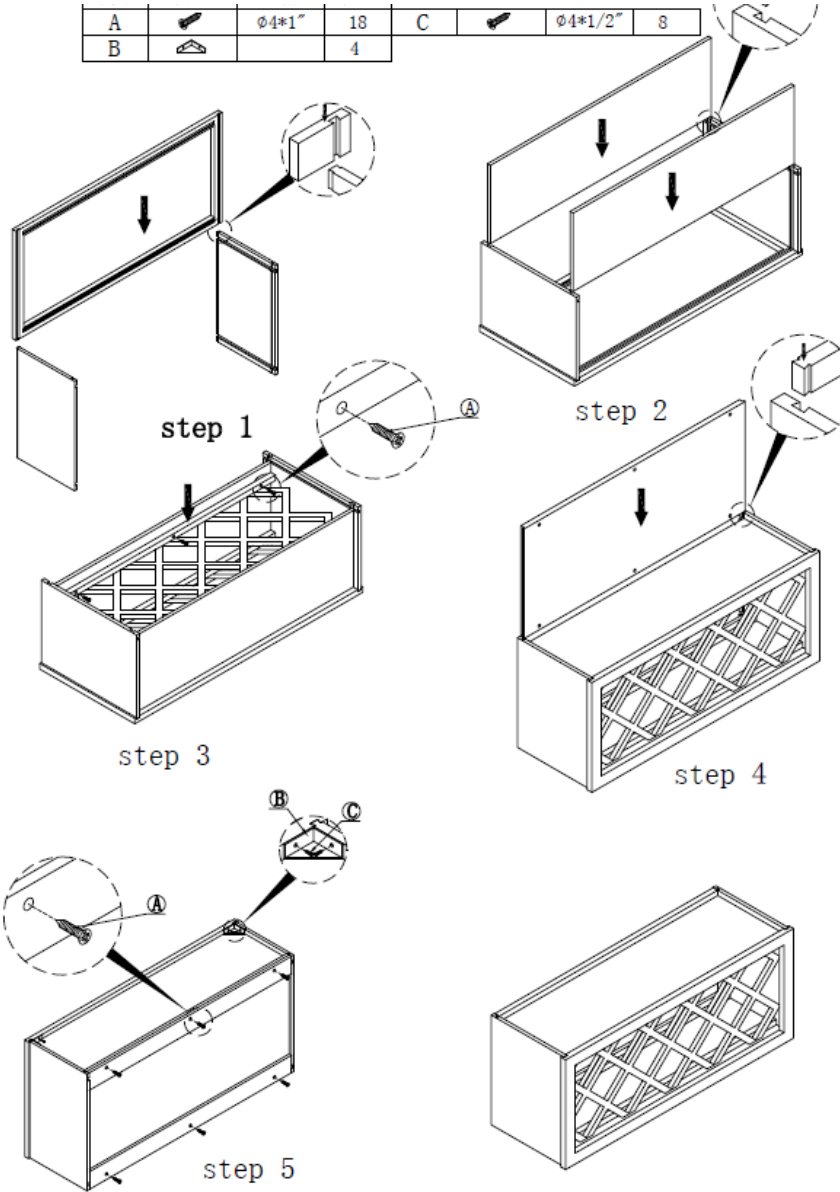






A		Ø4*1"	18	C		Ø4*1/2"	8
B			4				

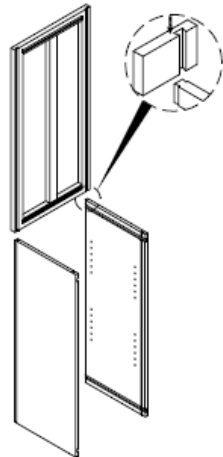




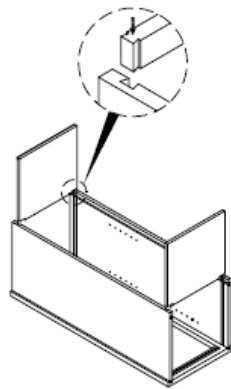
A		Ø4*1"	18	C		Ø4*1/2"	8
B			4				



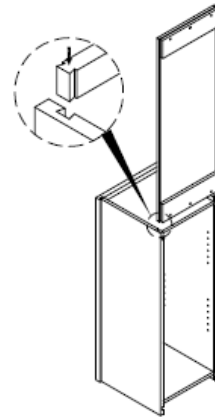
A		φ4*1"	6	C		φ4*1/2"	8
B			4	D			8



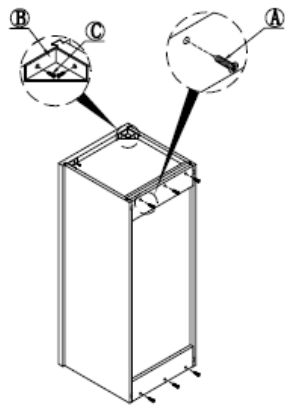
step 1



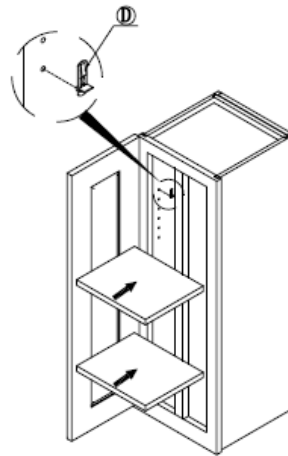
step 2



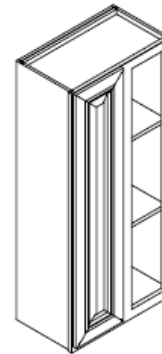
step 3







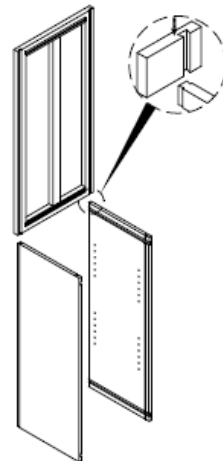
step 4



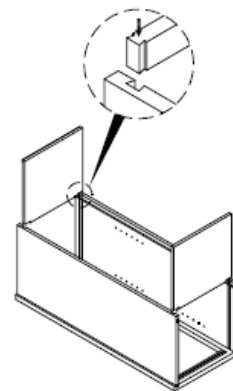
step 5



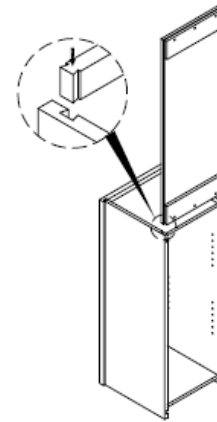
A		Ø4*1"	6	C		Ø4*1/2"	8
B			4	D			8



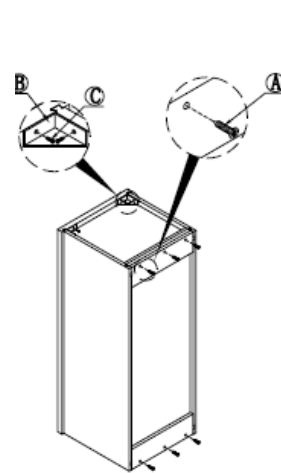
step 1



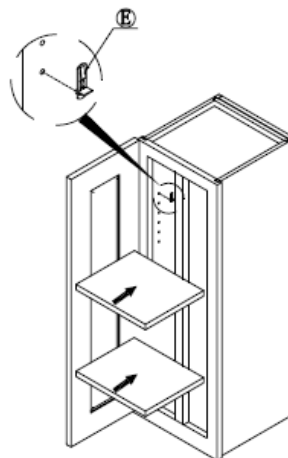
step 2



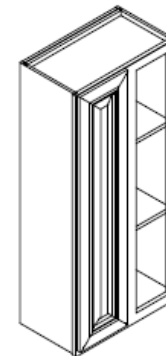
step 3






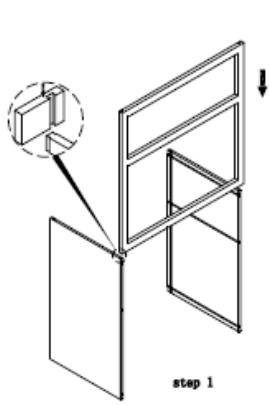
step 4



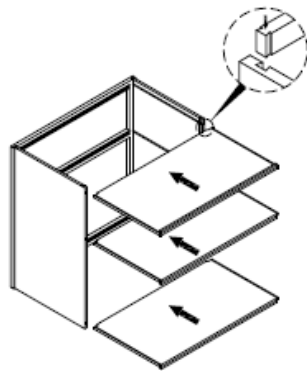
step 5



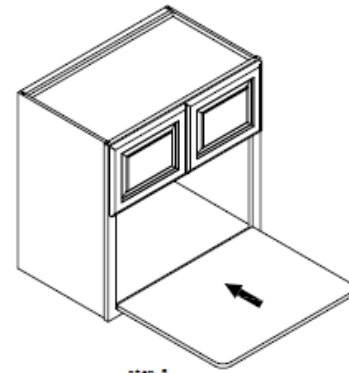
A		φ4#1"	9	C		φ4#1/2"	8
B			4				



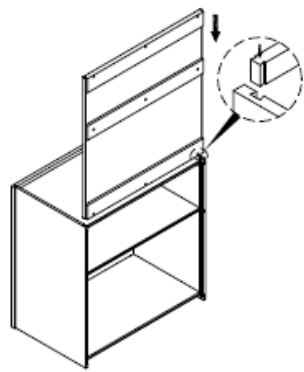
step 1



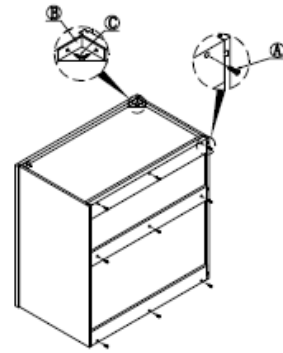
step 2



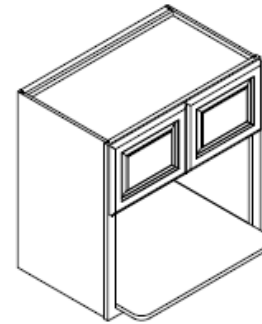
step 3






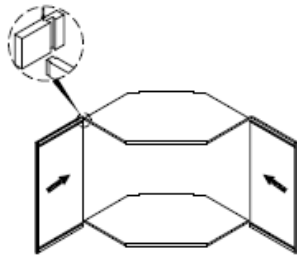
step 3



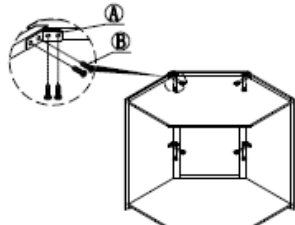
step 4



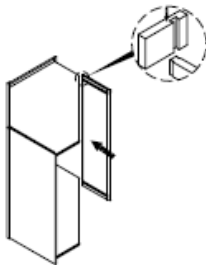
A		6	C		φ(φ1" 16
B		φ3*1/2" 24			



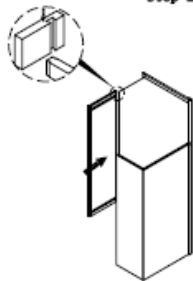
step 1



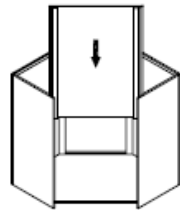
step 2



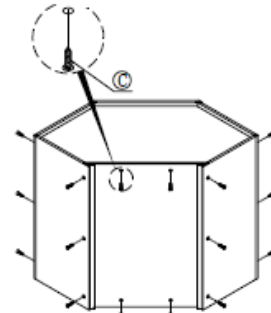
step 3



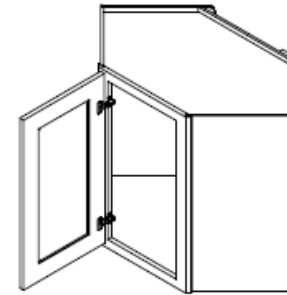
step 4



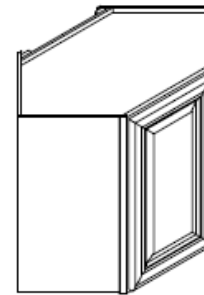
step 5







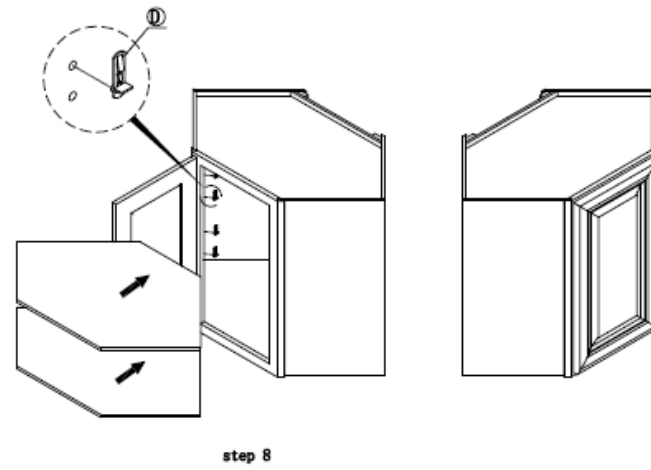
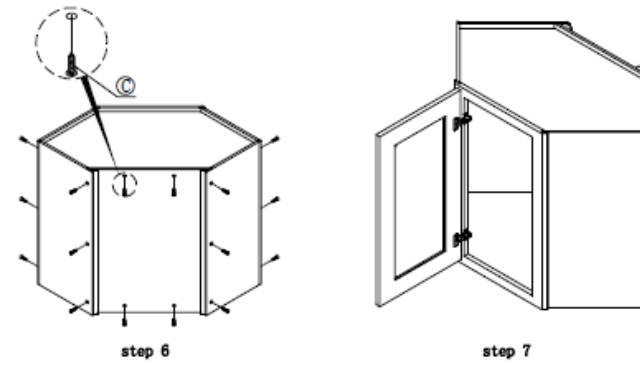
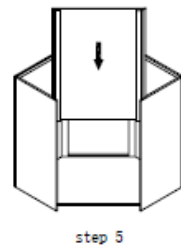
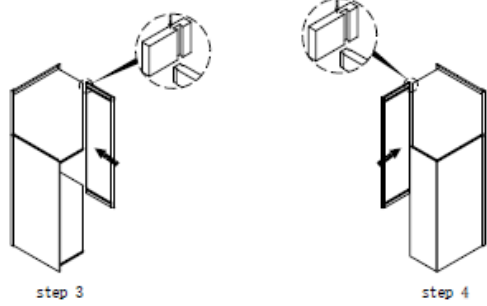
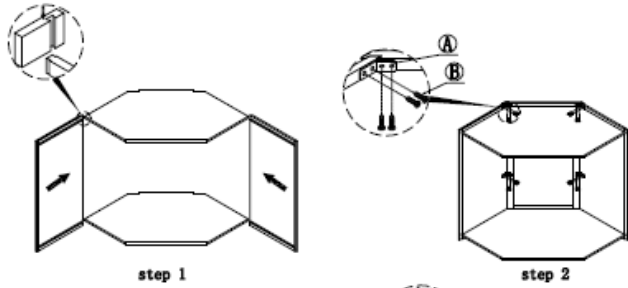
step 6



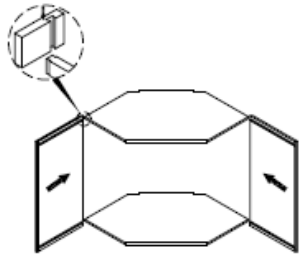
step 7



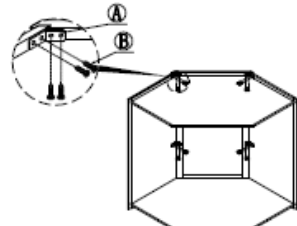
Part No.	Part Name	Quantity	Part No.	Part Name	Quantity
A		6	C		16
B		24	D		12



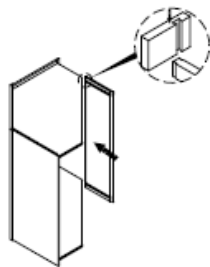
Part No.	Part Name	Quantity	Material	Part No.	Part Name	Quantity	Material
A	Panel	6	C	φ1#1"	20		
B	Panel	24	D	φ3#1/2"	12		



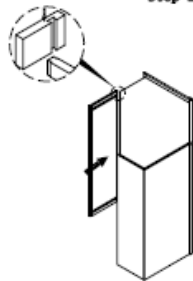
step 1



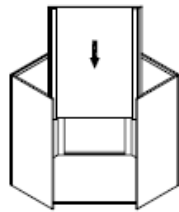
step 2



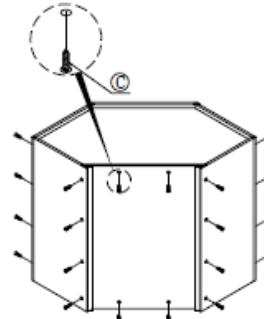
step 3



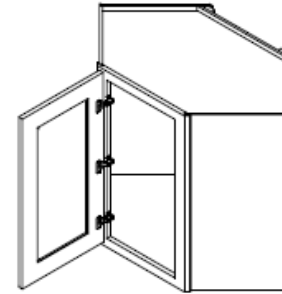
step 4



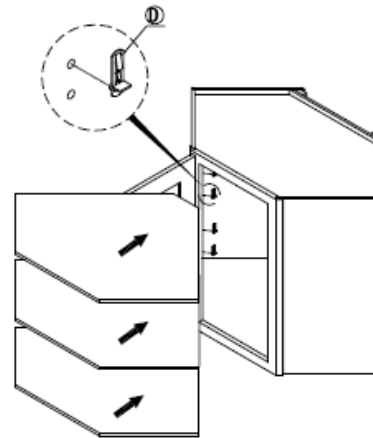
step 5







step 6

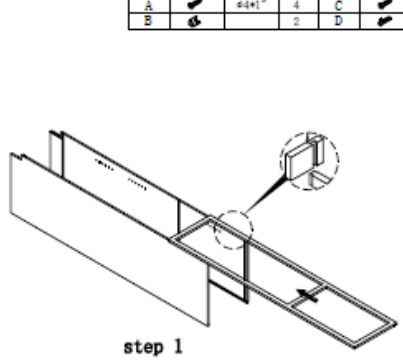


step 7

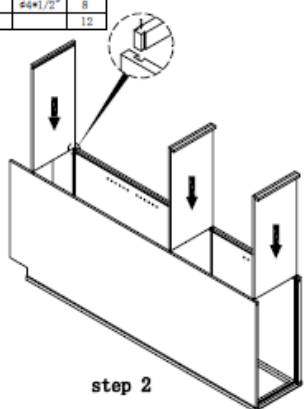


step 8

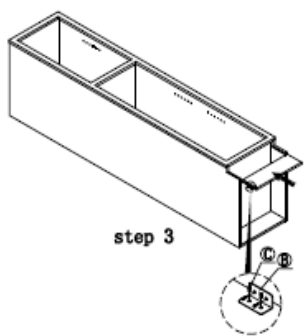
A		#4x1"	4	C		#4x1/2"	8
B			2	D			12



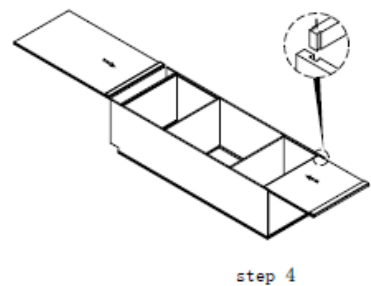
step 1



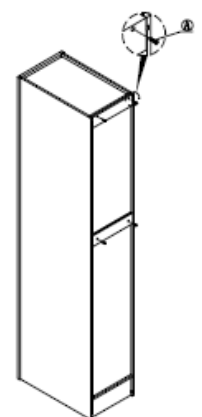
step 2



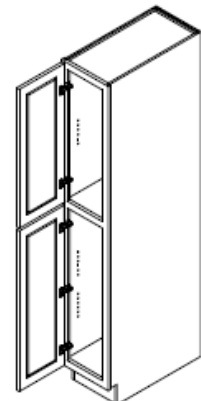
step 3



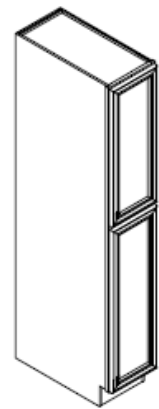
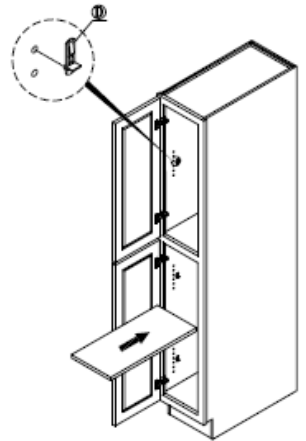
step 4



step 5

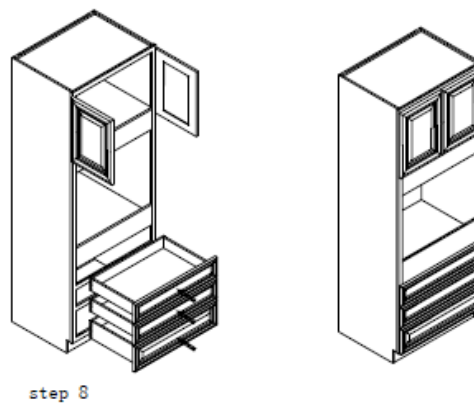
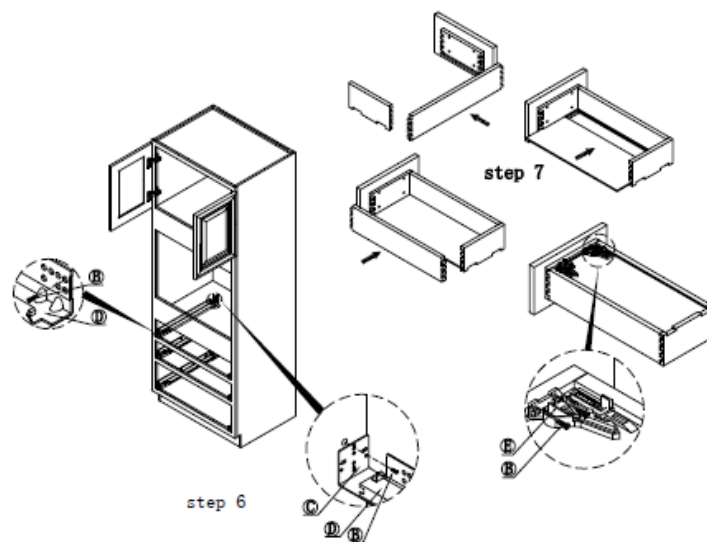
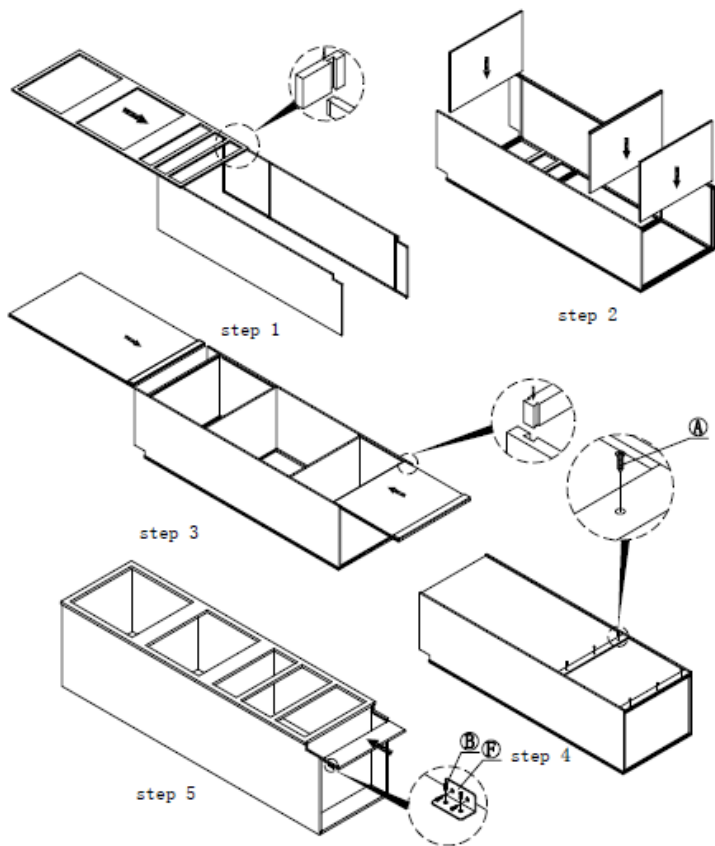


step 6

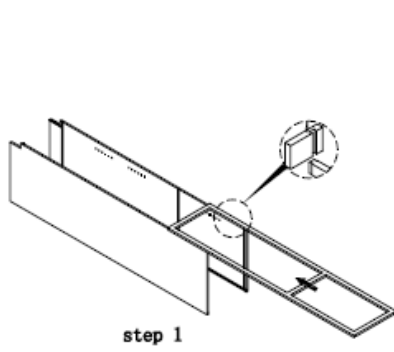




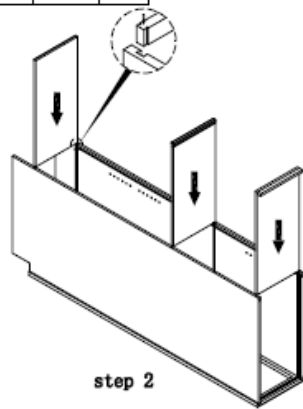
A		ø4*1"	6	D		6
B		ø3*1/2"	30	E		6
C			6	F		2



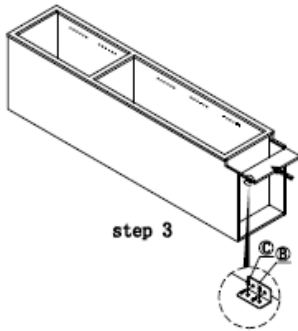
A		94 1/2"	4	C		94 1/2"	8
B			2	D			20



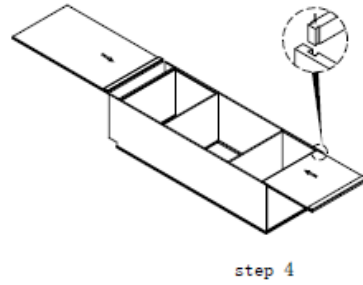
step 1



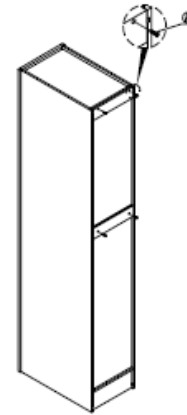
step 2



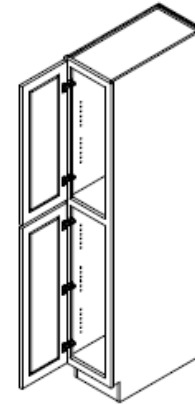
step 3



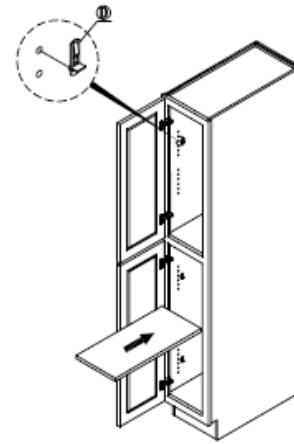
step 4



step 5



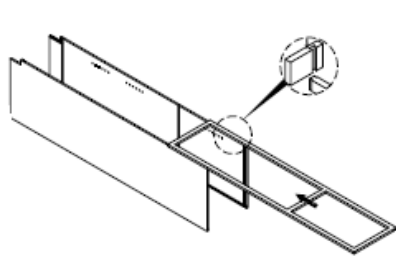
step 6



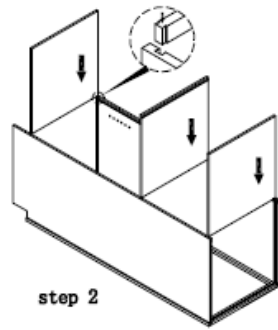
step 7



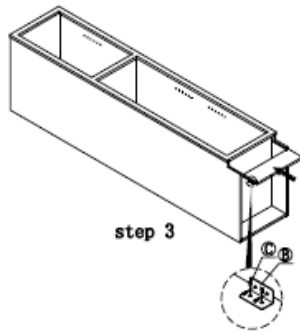
A		#4*1"	6	C		#4*1/2"	20
B			4	D			12



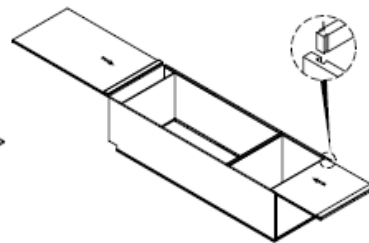
step 1



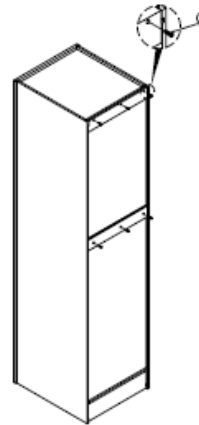
step 2



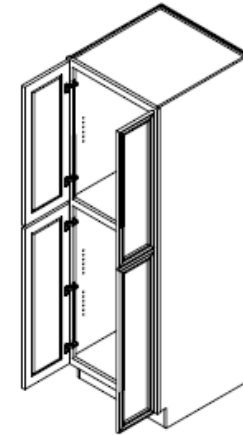
step 3



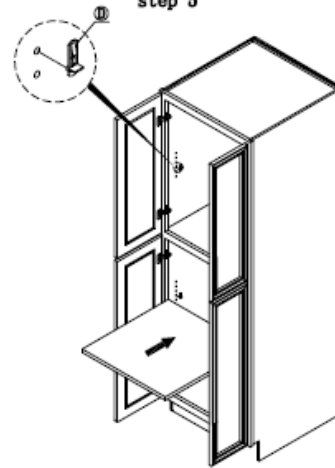
step 4



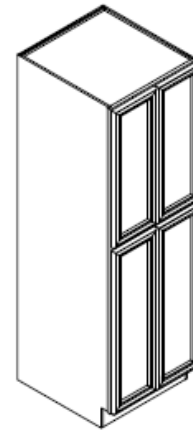
step 5



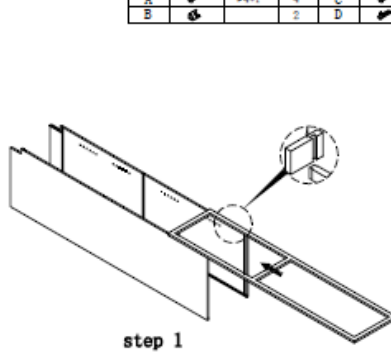
step 6



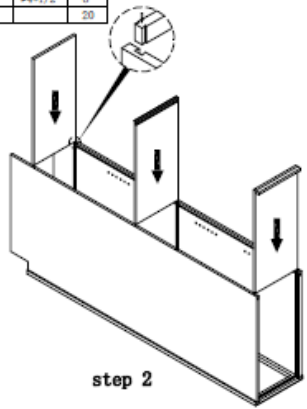
step 7



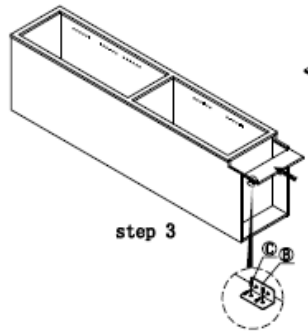
Part	Qty	Material	Color	Part	Qty	Material	Color
A	4	64x1"	4	C	2	64x1/2"	8
B	2	64x1"	2	D	2	64x1/2"	20



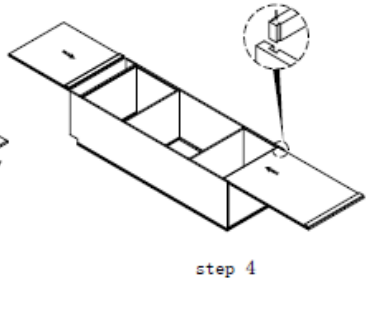
step 1



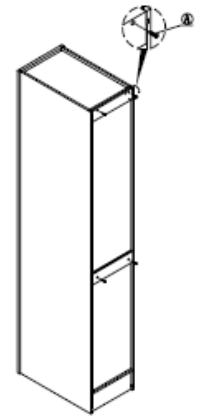
step 2



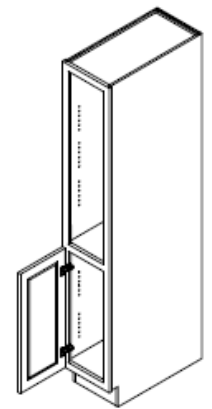
step 3



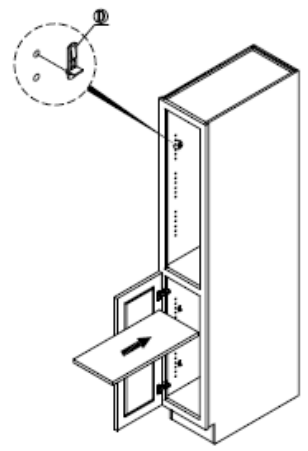
step 4



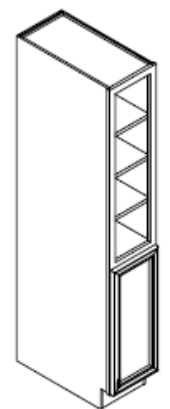
step 5







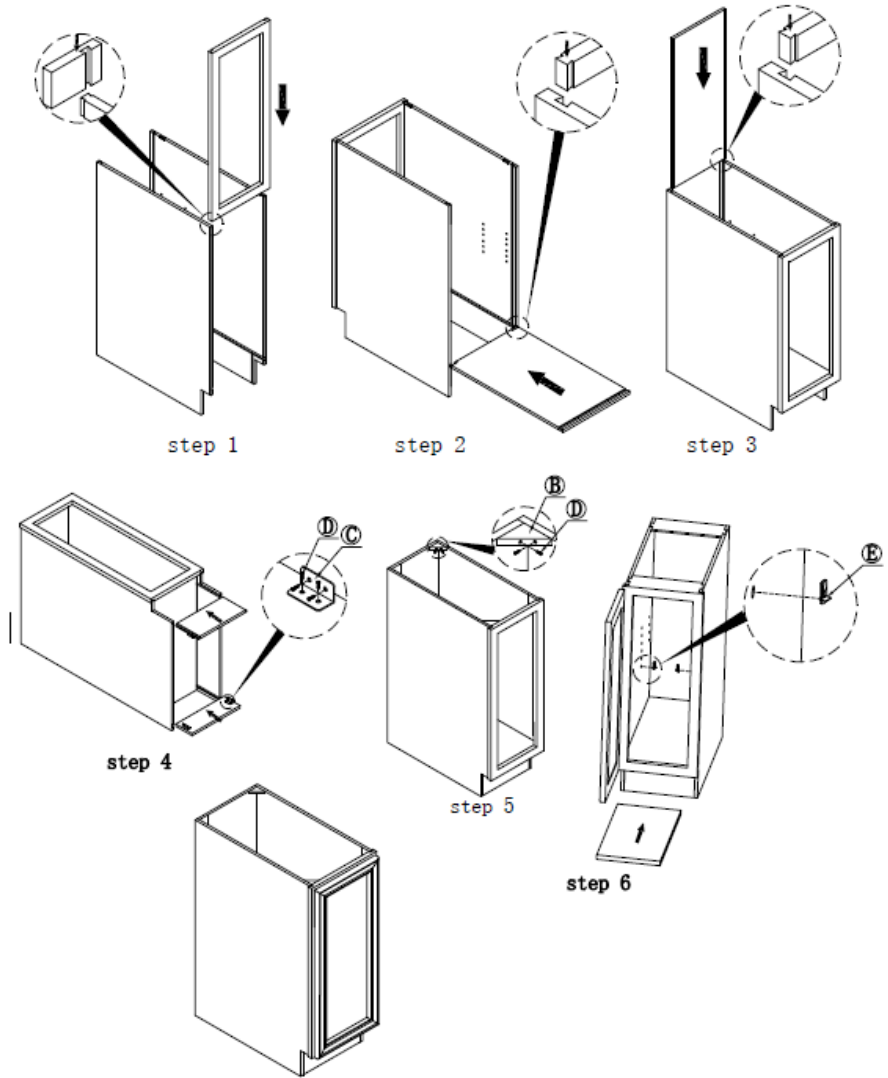
step 6

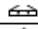





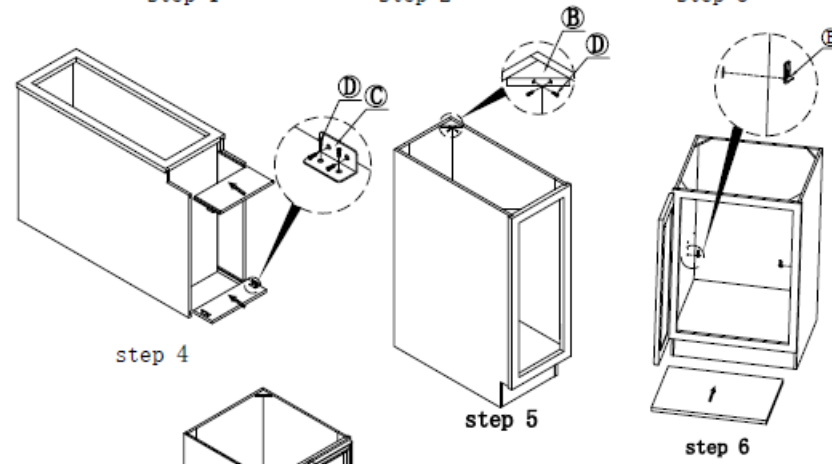
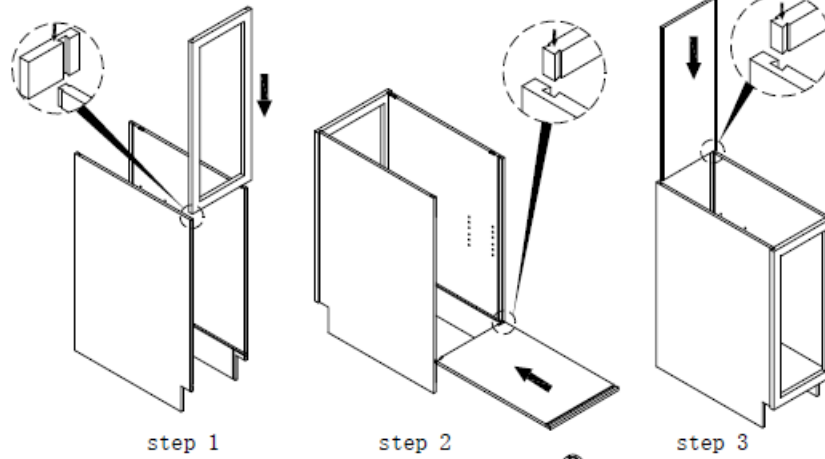
step 7

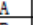

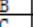




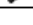


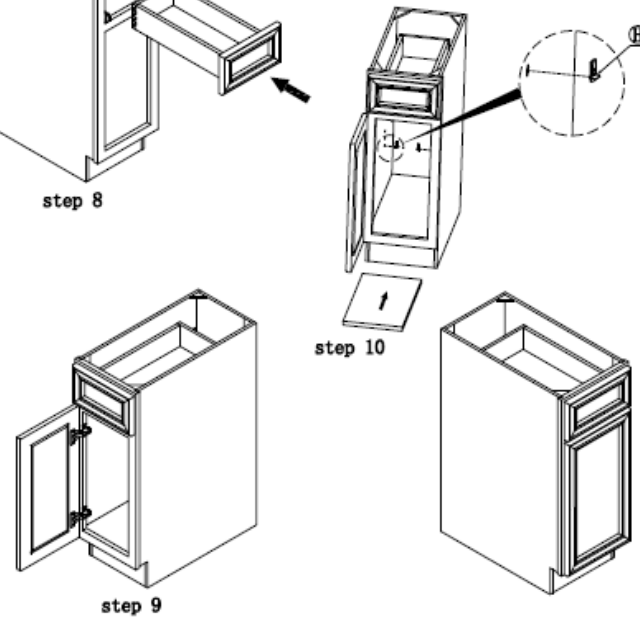
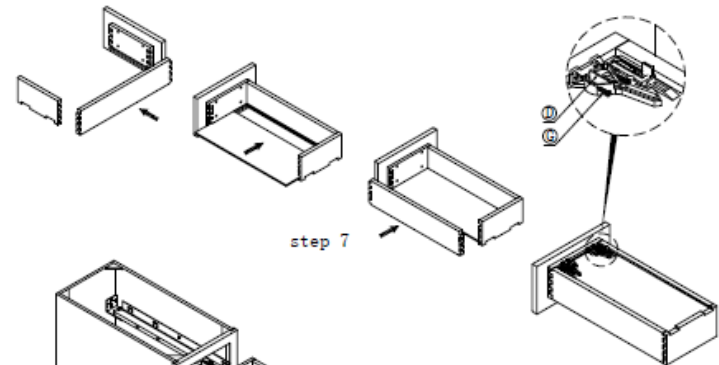
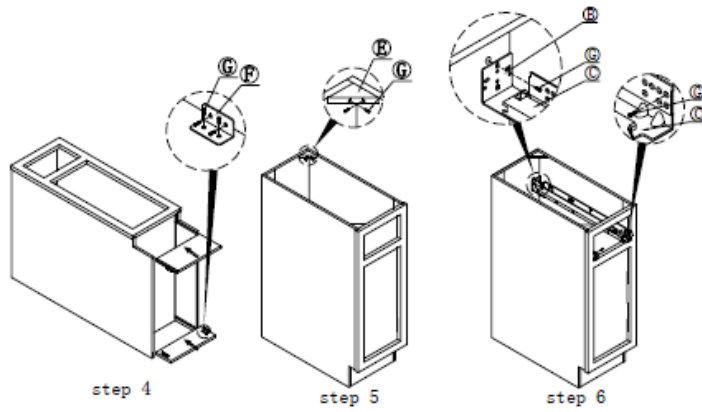
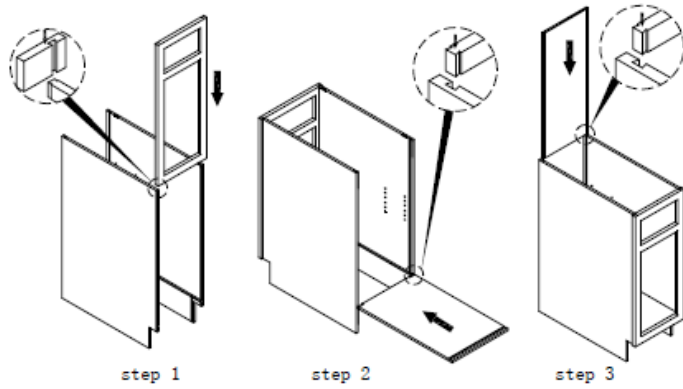
B			4	D		Ø3*1/2"	4
C			4	E			4



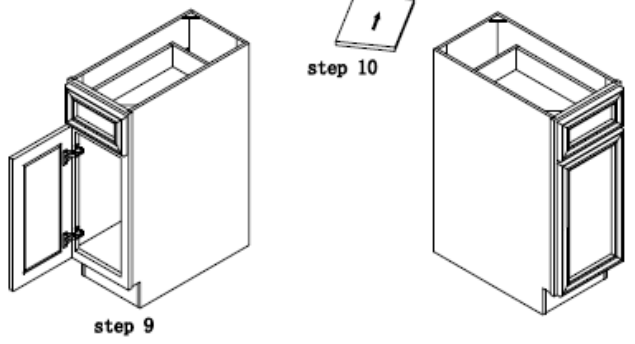
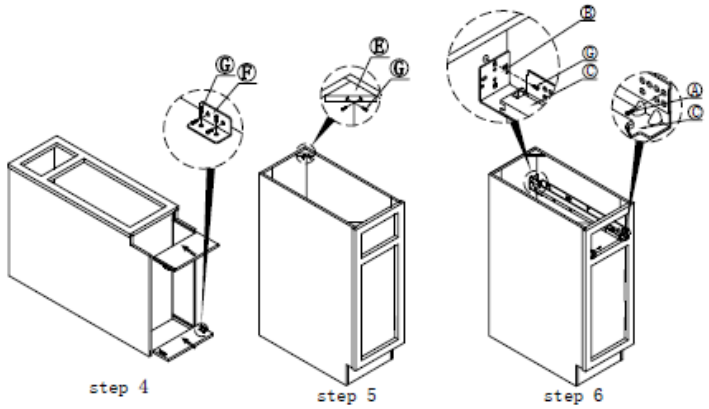
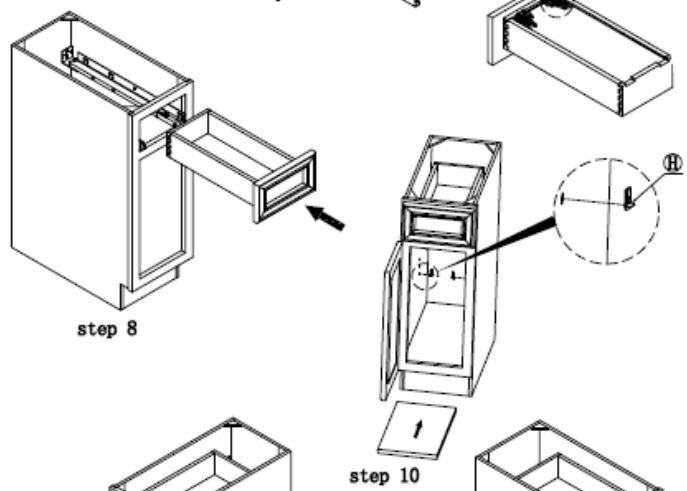
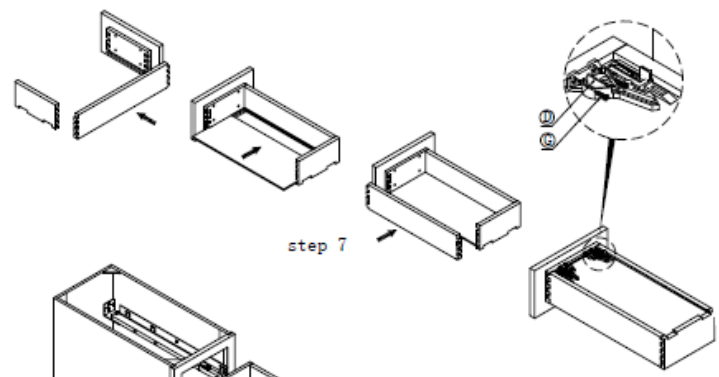
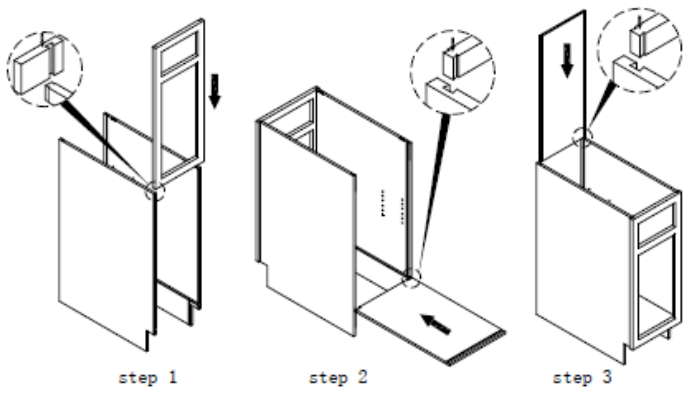
B			4	D		ø3*1/2"	4
C			4	E			4



A		φ4*1"	8	E			4
B			2	F			4
C			2	G		φ3*1/2"	26
D			2	H			4

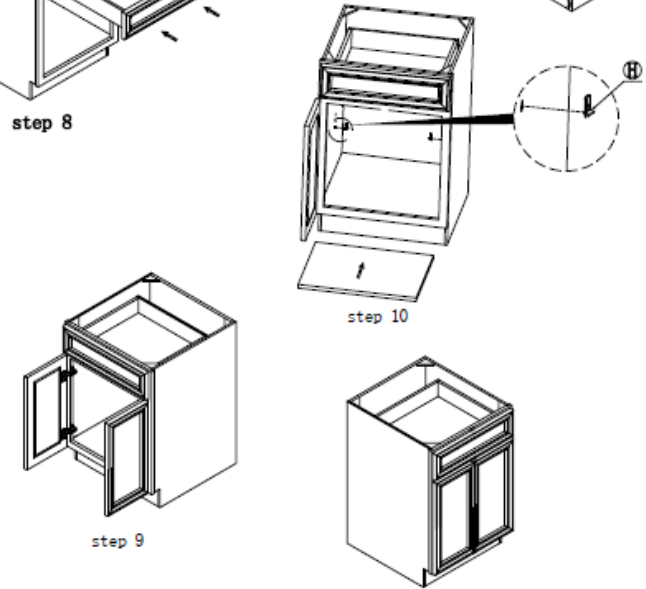
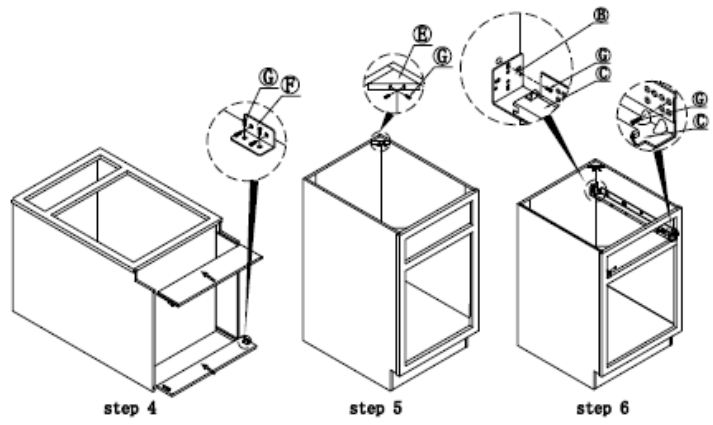
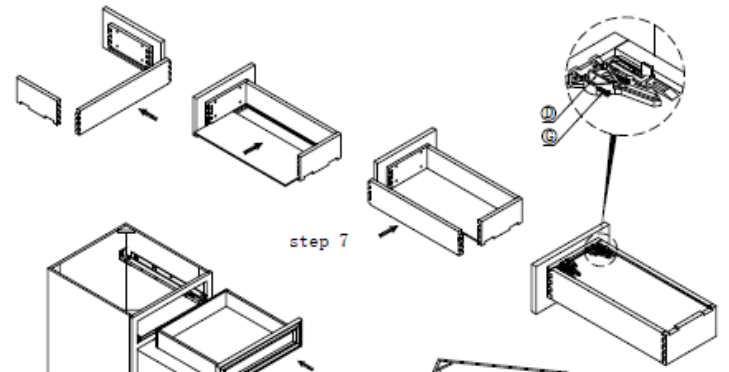
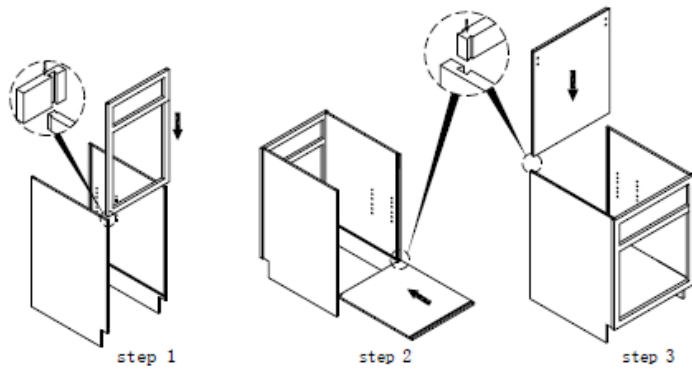


A		φ(*2/4")	6	E		4
B			2	F		4
C			2	G	φ20/2"	26
D			2	H		4

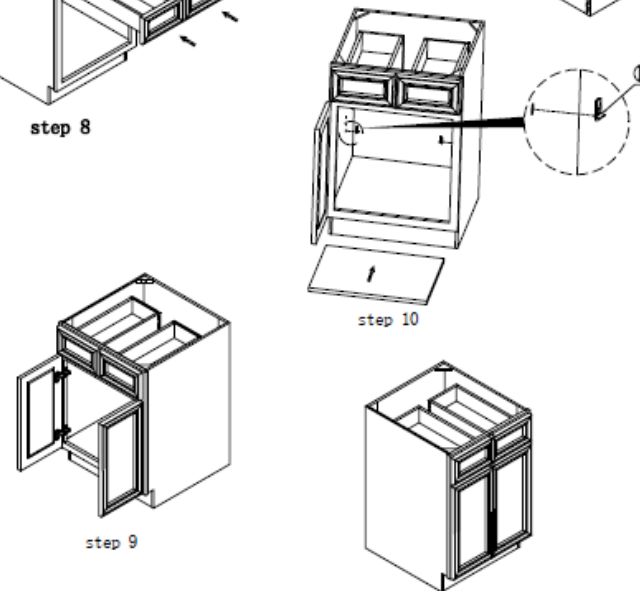
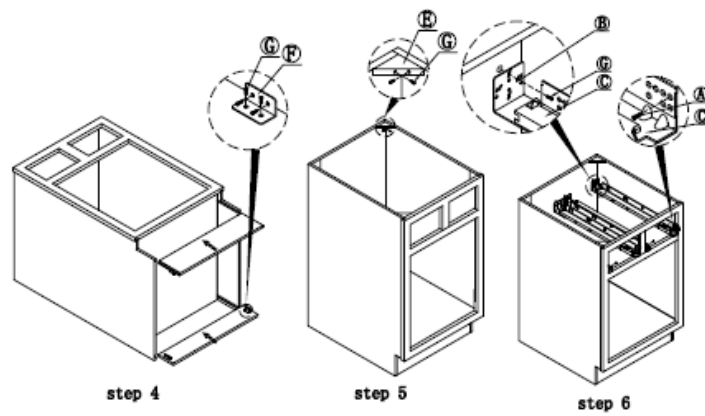
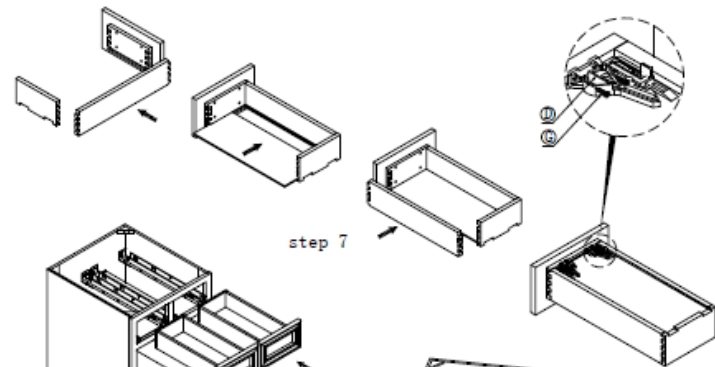
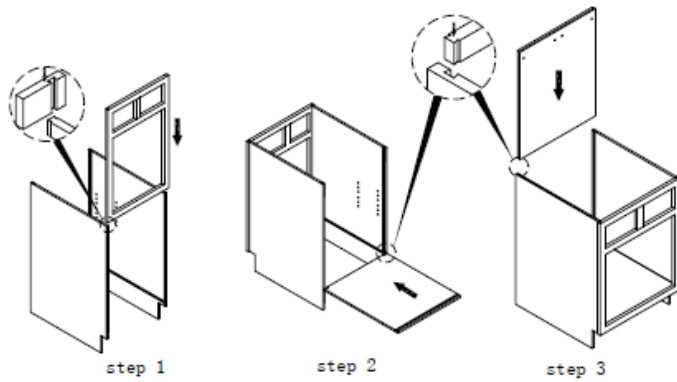




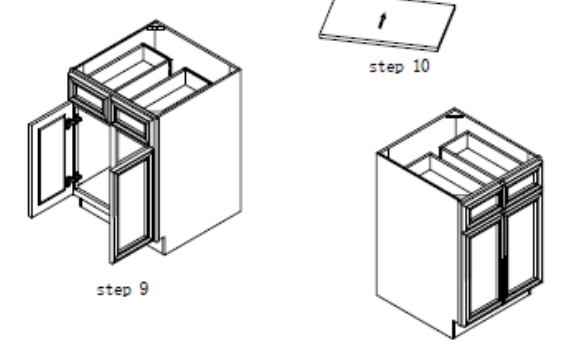
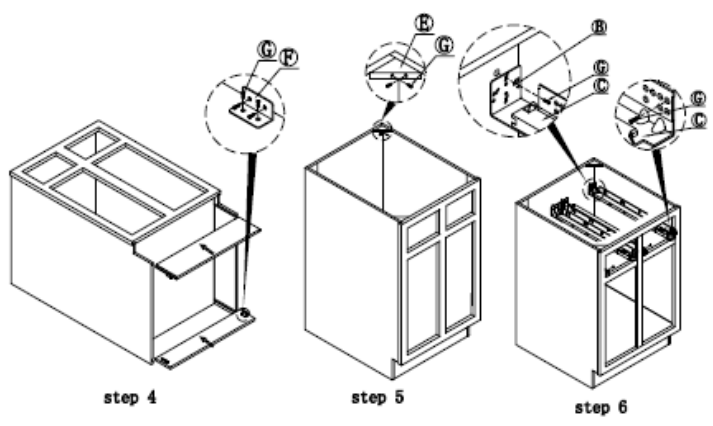
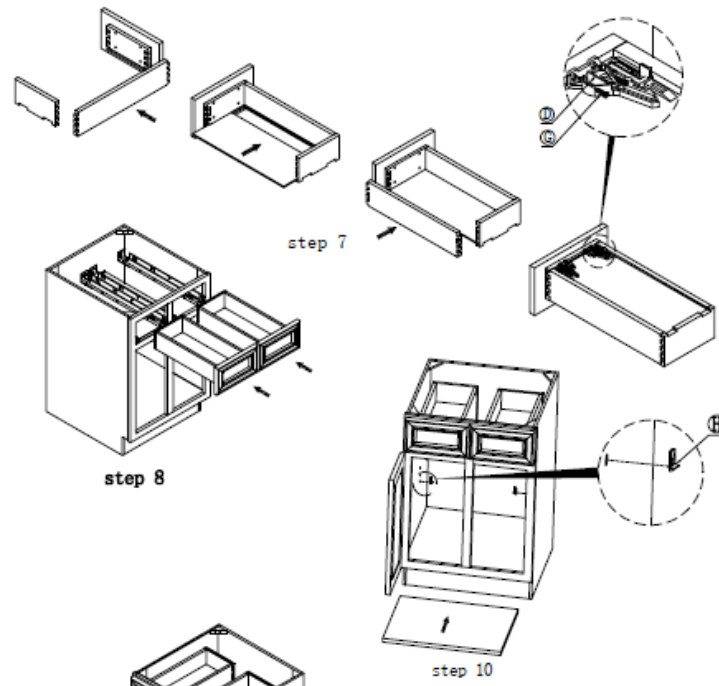
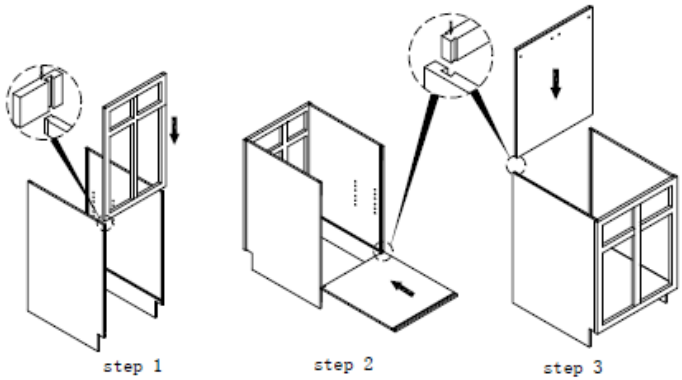
A		ø4*1"	8	E			4
B			2	F			4
C			2	G		ø3*1/2"	26
D			2	H			4



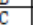






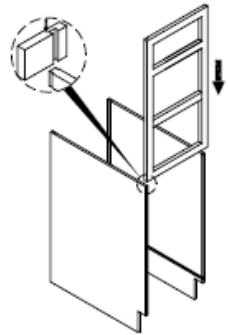
A		ø2*3/4"	8	E			4
B			4	F			4
C			4	G		ø2*1/2"	26
D			4	H			4



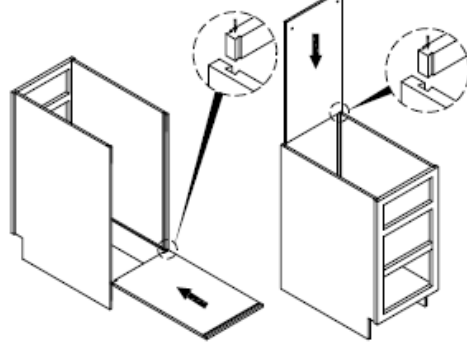
Part	Qty	Size	Material	Part	Qty	Material
A	4	φ4*1"	8	E	4	
B	4		4	F	4	
C	4		4	G	φ3*1/2"	26
D	4		4	H	4	



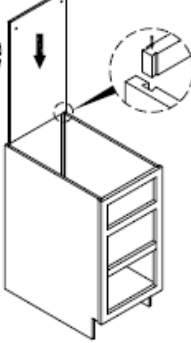
A		ø3*3/4"	8	B			4
B			6	F			4
C			6	G		ø2*1/2"	46
D			6				



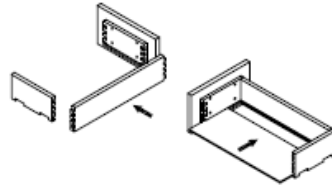
step 1



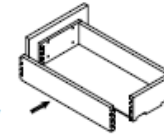
step 2



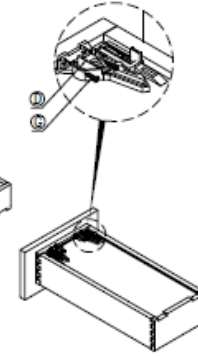
step 3



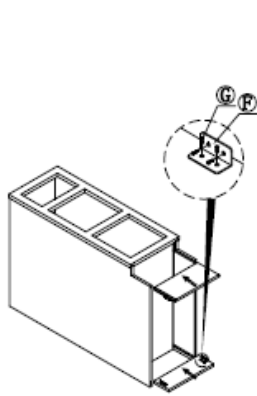
step 4



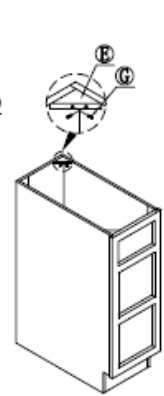
step 5



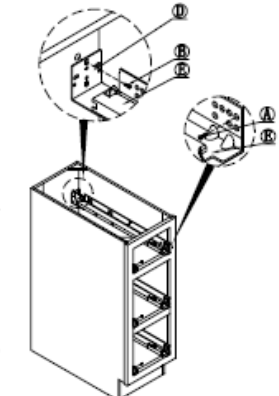
step 6



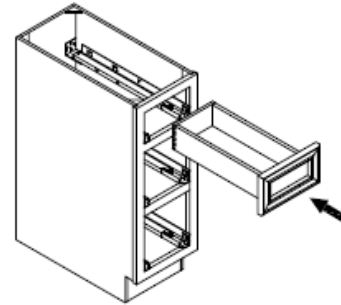
step 7



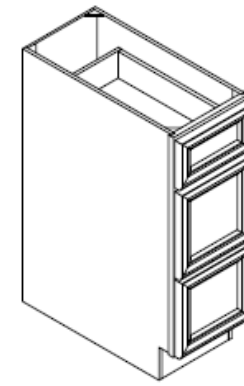
step 8



step 9

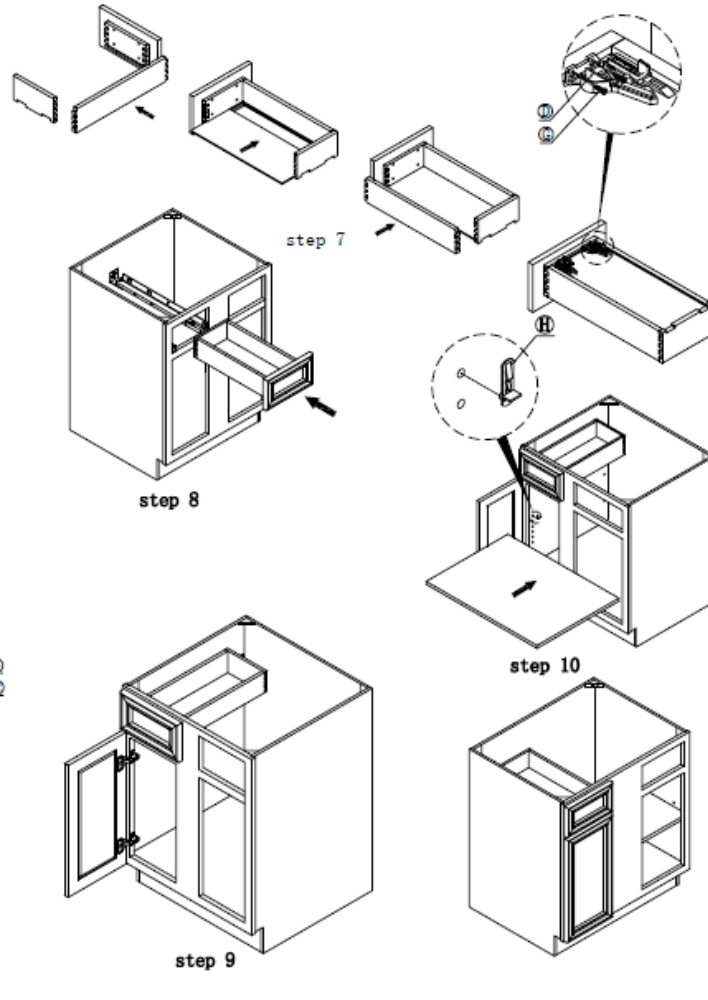
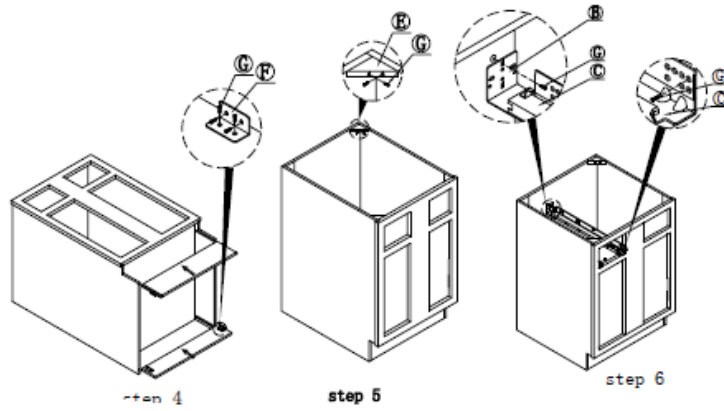
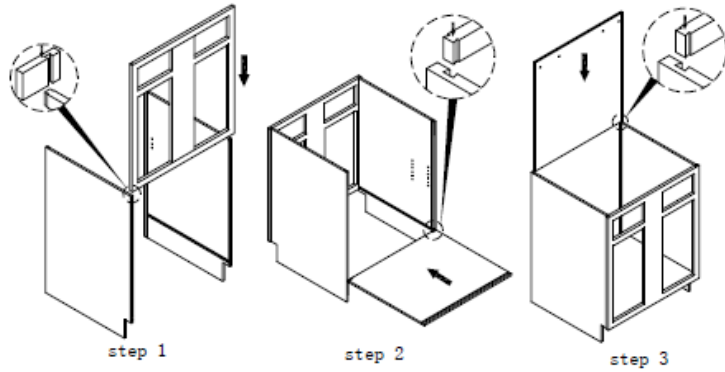






step 10

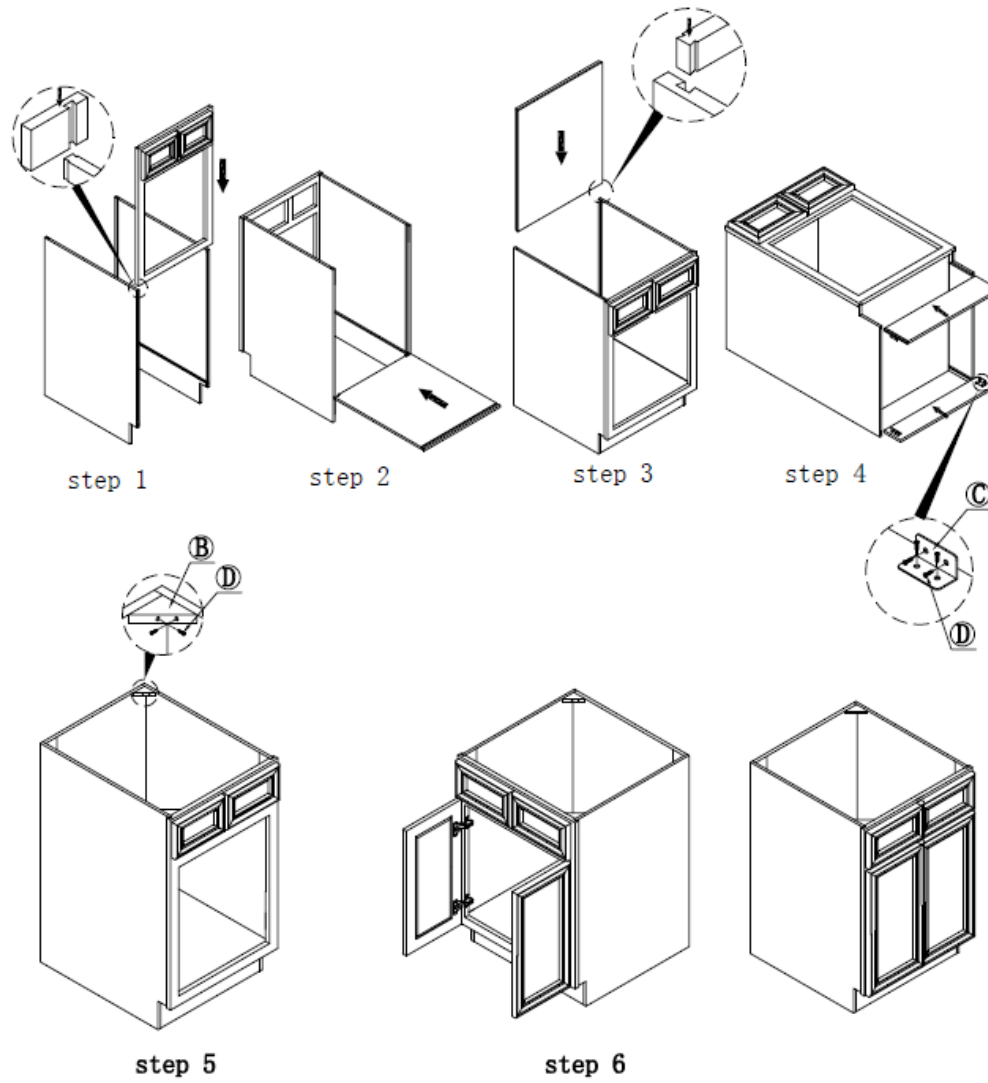






step 11

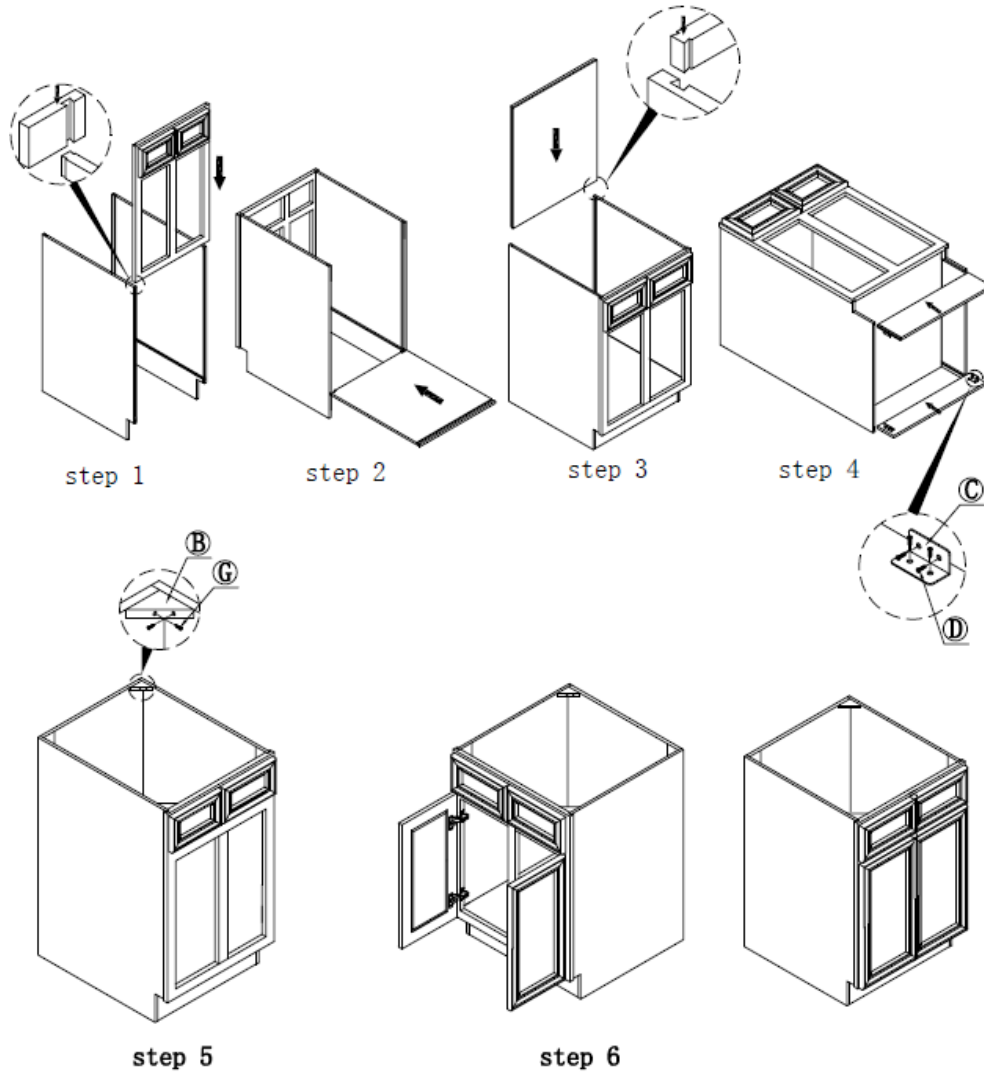
A		ø1/2"	8	E			4
B			2	F			4
C			2	G		ø3/16"	26
D			2	H			4



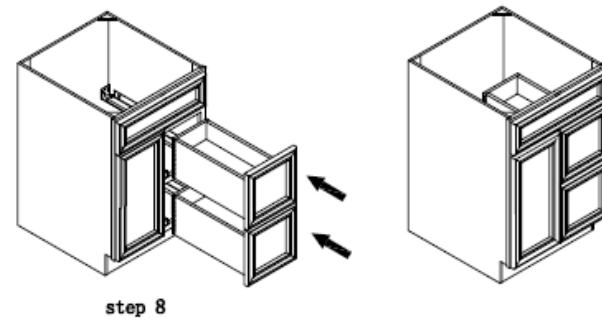
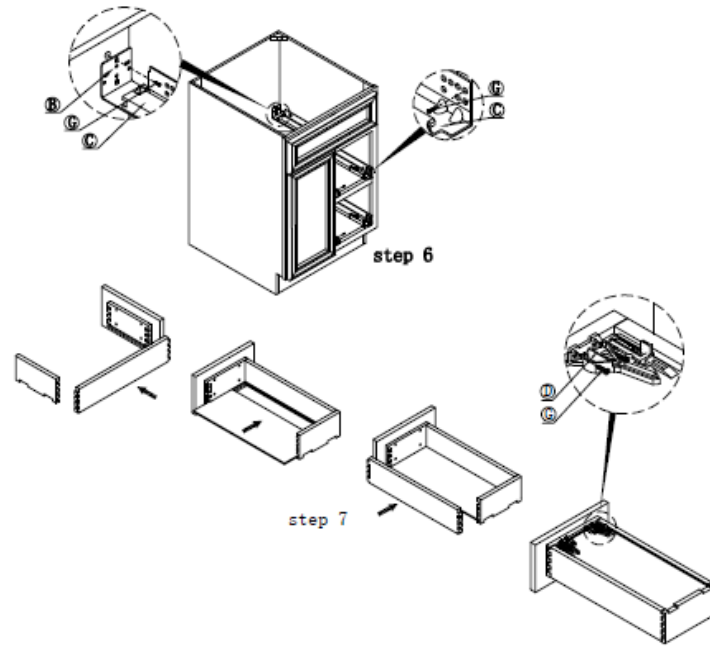
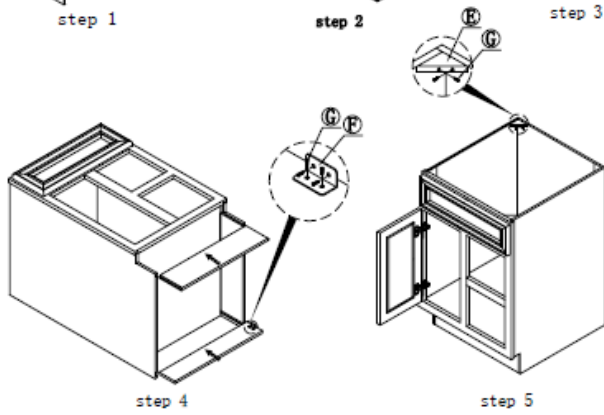
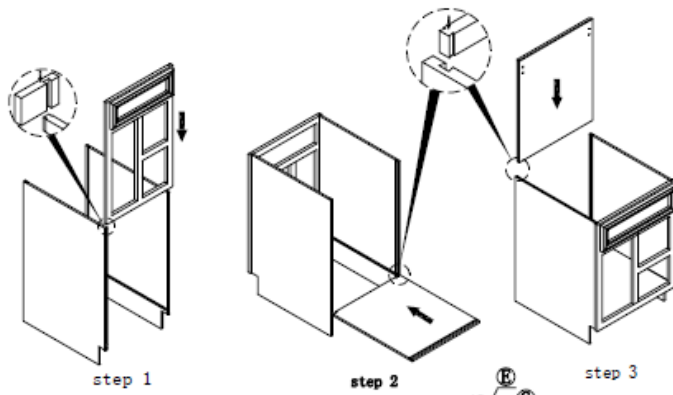
A		Ø4*1"	8	C			4
B			4	D		Ø3*1/2"	16



A		Ø4*1"	8	C			4
B			4	D		Ø3*1/2"	16

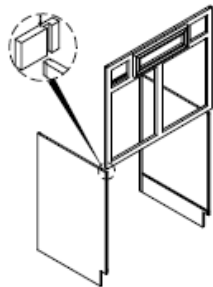


A		φ(±1)"	8	E			4
B			4	F			4
C			4	G		φ2±1/2"	26
D			4				

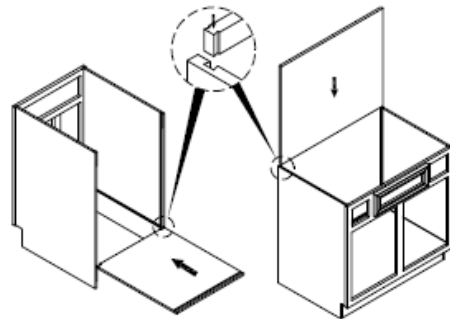




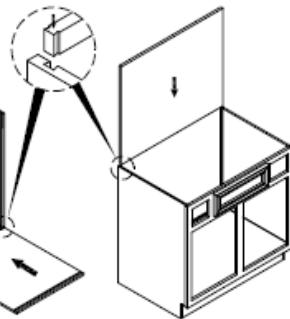
A		ø4*1"	8	B			4
B			4	F			4
C			4	G		ø3*1/2"	36
D			4				



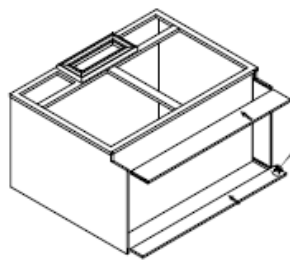
step 1



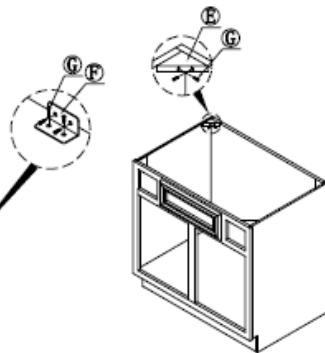
step 2



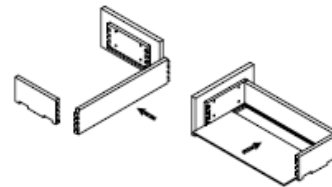
step 3



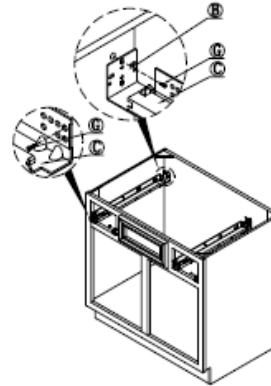
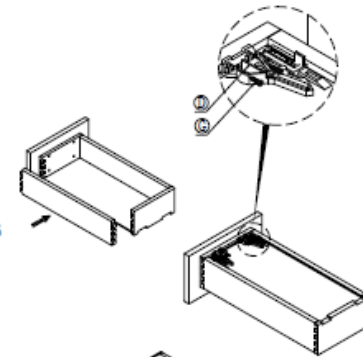
step 4



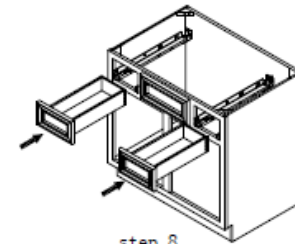
step 5



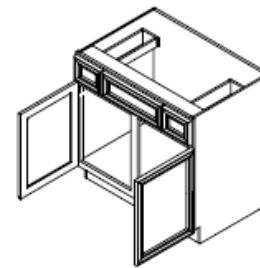
step 6



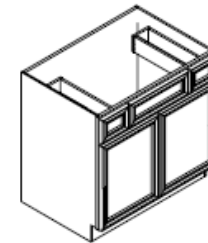
step 7







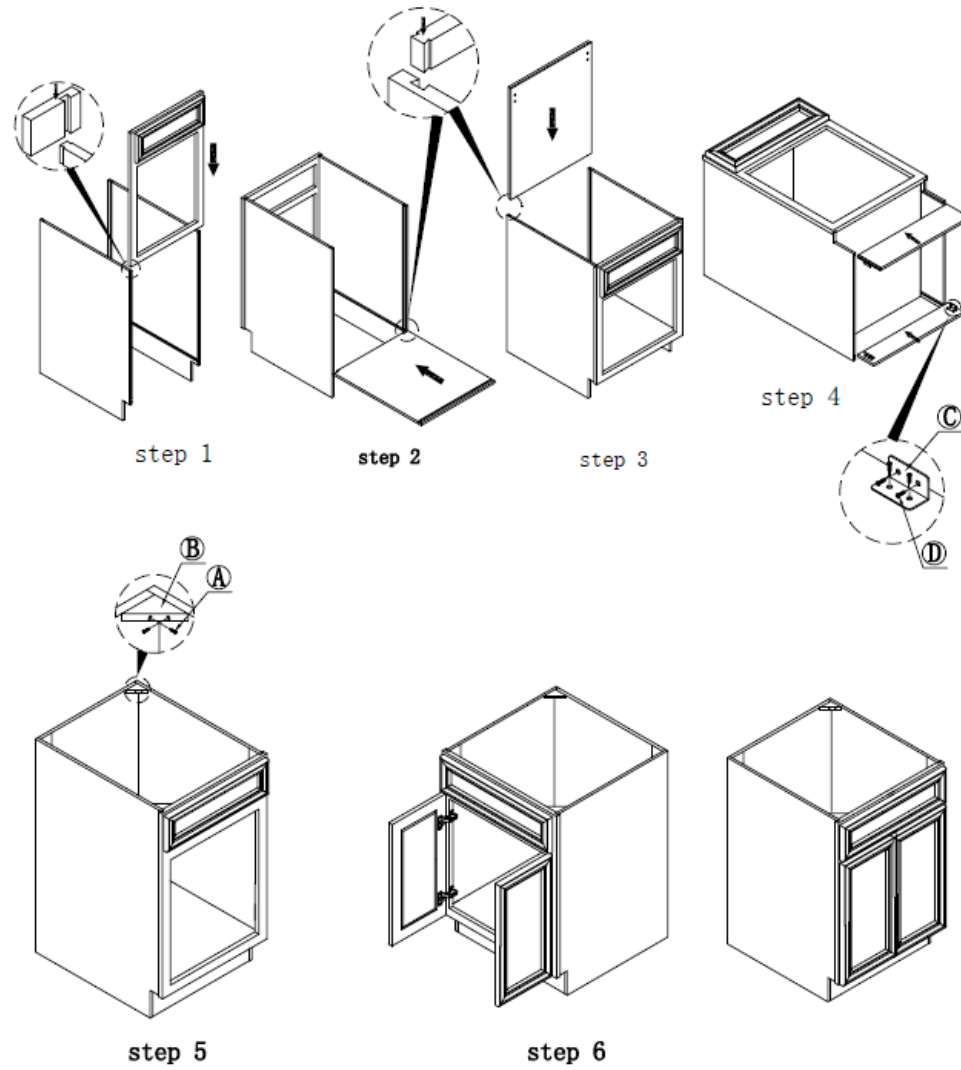
step 8










step 9



A		Ø4*1"	8	C			4
B			4	D		Ø3*1/2"	16



A		ø1"	8	E		4
B			4	F		4
C			4	G		ø3/2" 26
D			4			

